



The HE-440 allows you to control up to 4 separate outdoor electrical products independently using the HomeEasy remote control timer, with a maximum combined load of 3000W.

- Selectable timer setting
- 12 Programmable memory Settings
- Security Mode Setting
- Single and Daily Timer Functions

**Product Specification:**

4 Gang Remote Control Receiver: HE-440  
 Input: 230V - 240V ~50Hz  
 Range: 30 Metres (Open Distance)  
 Frequency: 433.92MHz  
 Max Load: 3000W  
 (Combined Resistive load)  
 IP56 (Lid Closed)

Remote Control PIR: HE-403  
 Battery: 23A & CR2032 (Included)  
 Range: 30Metres (Open Distance)  
 Frequency: 433.92MHz  
 Indoor use only

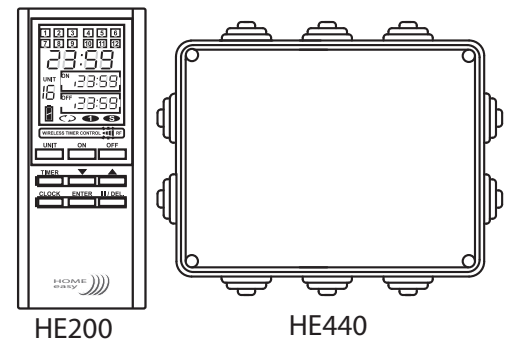
**Warning:** Never Exceed the Product Specification

**INSTALLATION WARNING:**  
 ON INSTALLATION TURN OFF YOUR MAINS ELECTRIC SUPPLY

This product should be fitted by a competent person in accordance with the instructions listed below and with the relevant clauses of the IEE wiring regulations BS7671.  
 For fixed installation only

The HE440 should be used in conjunction with a fused spur connection, all connections to the socket need to be made as instructed, making sure that the cable used is appropriate for the installation environment, free from stress & terminals are tightened fully.

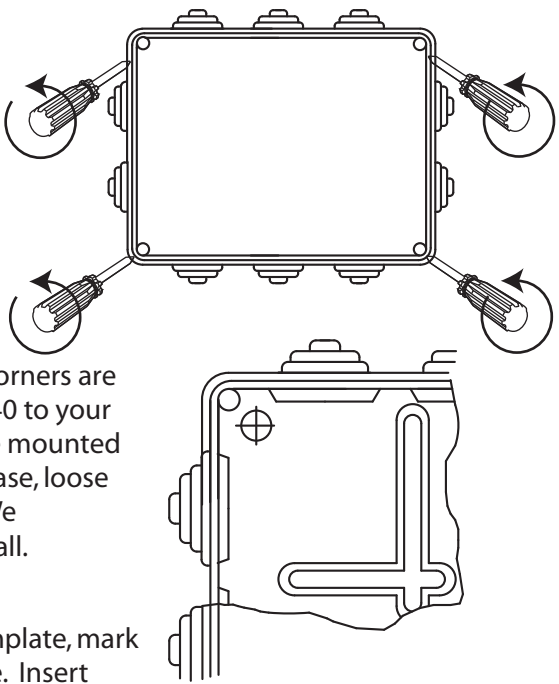
**HE-440 Outdoor Remote Control 4Gang Kit** V1.0



- Single and Daily Timer Functions
- IP56 Weather Proof
- 30 Metre Wire Free Range
- CR2032/23A Battery (Included)

**Installation Guide:**

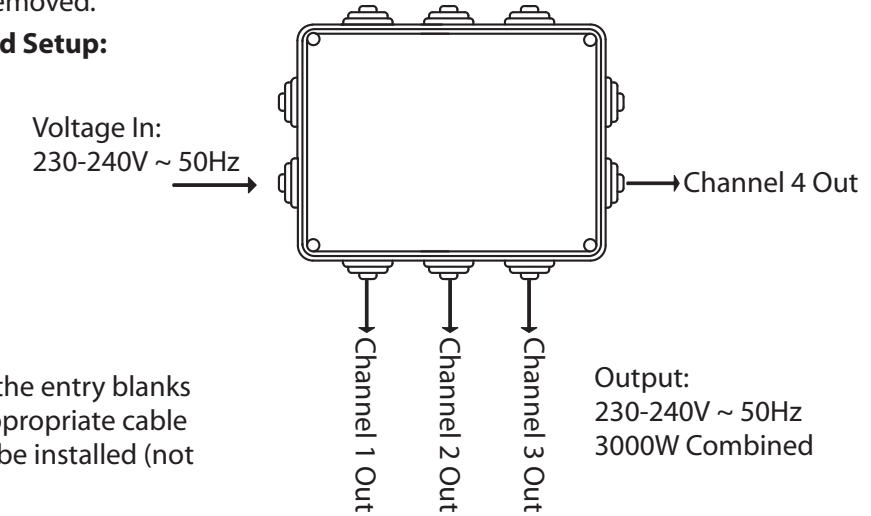
1. Remove the front cover by unscrewing the front cover.
2. In the back half of the unit, in all four corners are purpose made holes for fixing your HE440 to your intended surface. The HE440 needs to be mounted onto a flat, vertical surface, free from grease, loose material and any corrosive substances. We recommend a house or sturdy garden wall.
3. Using the back half of the unit as a template, mark all four corners onto your chosen surface. Insert suitable wall plugs and secure to the wall using number '8' screw (recommended size).



**Wiring Remote Socket:**

On the outdoor enclosure you will see that there are a number of rubber entry spaces ('Entry blanks') on each side, depending on location and wiring setup a number of these can be removed.

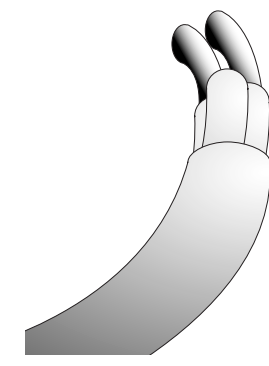
**Recommended Setup:**



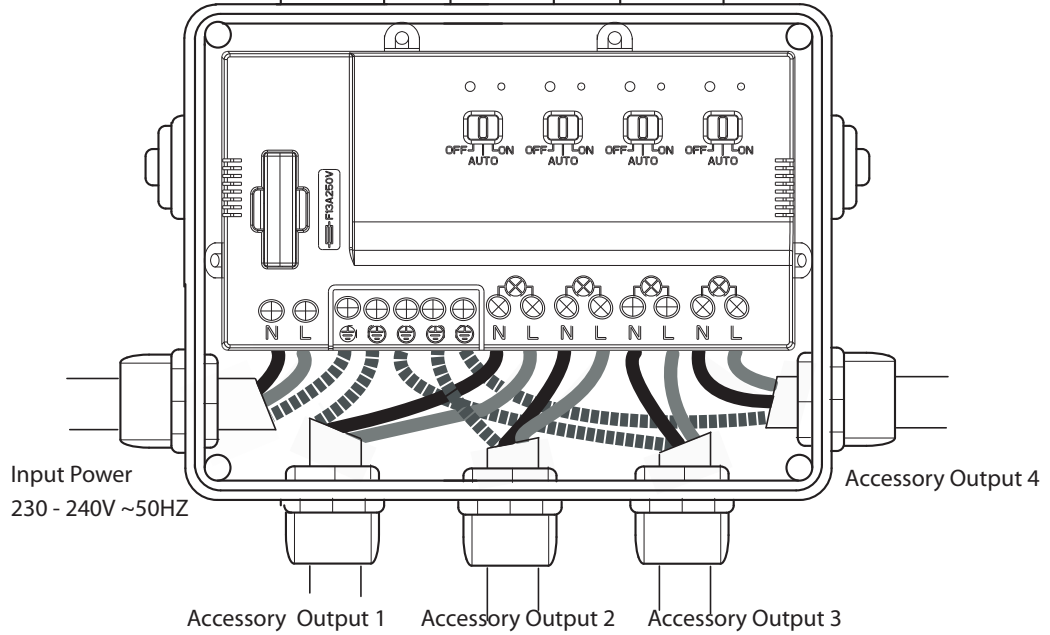
Once removed the entry blanks are removed, appropriate cable glands need to be installed (not included).

**Input Power: (See Wiring Diagram)**

- 1: Switch off and isolate the mains power before installing or altering the electrical connections and remove the terminal covers.
  - 2: Send the cable through the gland and into the HE440.
  - 3: Cut back the cable to reveal the 3 separate wires  
 L= Live      Brown  
 E= Earth     Green & Yellow  
 N= Neutral    Blue
  - 4: Now strip each wire, exposing 10mm of its core
  - 5: Insert the exposed core wires into their related terminals and clamp down by tightening the respective screw. replace the terminal covers and tighten the cable glands, making sure wall wires are secure.
  6. Reconnect the mains power, the HE440 is now ready programming (See Pairing/Deleting with Remote).
- Replace the front cover and tighten the screws.



**Wiring Diagram:**



- L = Live      Brown
- E = Earth     Green & Yellow
- N = Neutral    Blue

If installing the HE440 with conduit from the sides or top attachment, a 5mm hole must be drilled through the bottom left drainage hole. This will allow for any condensation forming in the conduit, to drain out. Caution: opening the drainage hole will affect the IP rating of the product. Ensure that jetted water is not directly sprayed onto the unit.

Do Not drill out the drainage hole when installing the Outdoor socket into a dusty environment. Always install the unit via the bottom cable entry, making sure that a 5mm hole is drilled into the lowest point in the conduit system.

**WARNING:**

You MUST install an earth cable between the origin of the installation and the earth terminal of the outdoor socket. This must be insulated inside a sleeve protector within the conduit.  
 If using metal conduit, earth continuity must be maintained between conduits. Seal Conduit and conduit entry with a non setting conduit sealant. Purchasable from your local electrical retailer.

**Operating Mode:**

Each Accessory Output Channel can operate in 3 separate modes, use the slide switch on each channel to select the mode setting.

**AUTO:** Allows the Remote Control to switch on/off the HE440. See Pairing/Deleting with Remote

**ON:** Sets the Outdoor socket as a standard outdoor socket. USE THIS OPTION WHEN USING GARDEN MACHINERY SUCH AS A LAWNMOWER OR HEDGE CUTTERS.

**OFF:** An additional safety feature of the HE440 is the ability to switch off the power as per a normal socket.

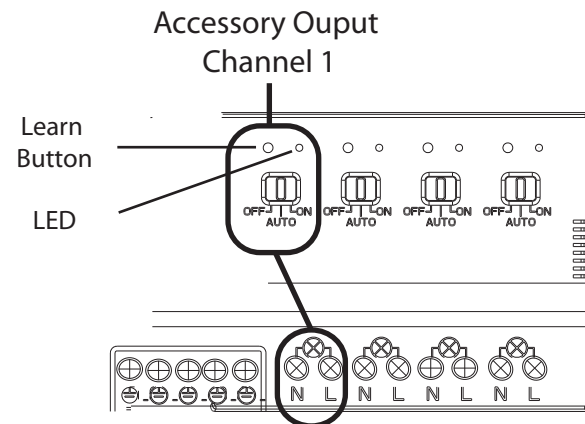
**Unused accessory Channels should be set to OFF**



## Pairing/Deleting with Remote Control:

Up to Six remote control units can be paired with each HE440 Accessory Output Channel. To program a channel press the "Learn" button e.g. accessory output channel 1.

The LED will start to flash, now press the "ON" button on the remote control, the LED will stop flashing and the accessory output will switch "ON/OFF". The units are now paired together, you can test this by pressing the selected "ON/OFF" button



Always refer to the original instruction when using with additional products

## Deleting Remote Control:

To delete a remote control that has been paired with a Accessory Output Channel, simply press the "Learn" button. The LED will start to blink; press the "Off" button on the remote control, the LED will blink twice to confirm that the remote control has been removed from the receiver sockets memory.

## Channel reset:

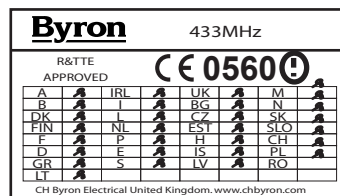
To delete all the remote control units from the memory of the Accessory Output Channel, hold the "Learn" button for more than 6 seconds, the LED will start to blink continuously. Press the learn button again, the LED will blink twice to confirm the deletion of all remote controls from the receiver memory.

## Contact:

C H Byron  
34, Sherwood Rd  
Aston Fields  
Bromsgrove  
B60 3DR

Helpline: 0845 2301 231

Tel: 0845 2301231  
Fax: 01527 557701  
Web: www.chbyron.com  
E-mail: support@chbyron.com



## HE200 Programable Remote Control:

### Display Functions:

Functions:

- 1: 12 Programmable Memory Spaces
- 2: 24Hr Time
- 3: Timer Setting "On"
- 4: Timer Setting "Off"
- 5: Security Mode
- 6: Timer Mode - Single Timer Setting
- 7: Timer Mode - Daily Timer Setting
- 8: Low Battery Warning
- 9: Unit Code Display
- 10: Transmission Indicator Signal

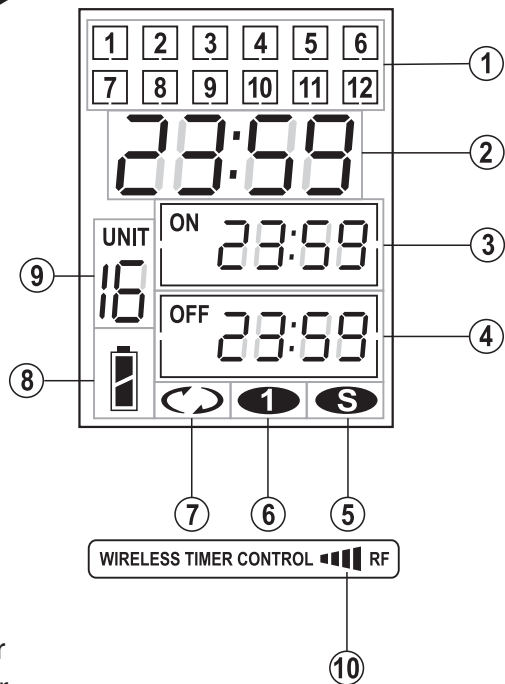
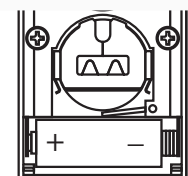
- UNIT** Receiver Select  
**ON** Switch "On" Selected Receiver  
**OFF** Switch "Off" Selected Receiver  
**CLOCK** Clock Setting  
**TIMER** Program Timer/View  
**ENTER** Enter  
**II / DEL.** Delete/Pause  
**▲ ▼** Select Up/Down

### Changing Batteries:

Remove the battery cover from the back of the remote control. The HE-200 includes 2 batteries:

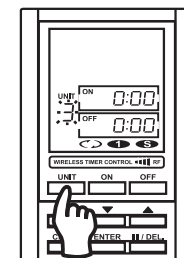
- LCD Display: 1 x CR2032 -Byron SX100 (Included)
- RF Transmission: 1 x 23A - Byron SD100 (Included)

Remove the required battery and replace with new, making sure the polarity matches the internal markings.

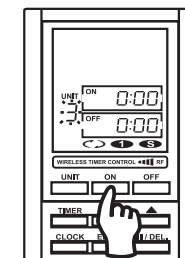


## Switching On/Off :

1. Select the unit by pressing the "unit" button until the correct number is displayed on the screen.



2. Press the "On" button, the receiver socket will switch on. **Never exceed 3000W Combined maximum load.**

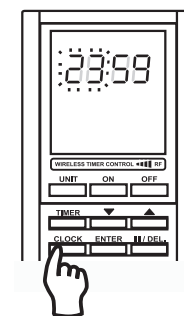


3. Press the "Off" button to switch the receiver unit off.

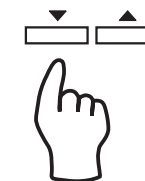
## Setting Clock

The remote control displays the time in a 24hr format, to set the time.

1. Press and hold the clock button for +3sec. The hrs will now start to flash



2. Use the ▼ ▲ buttons to select the hours and press Enter.



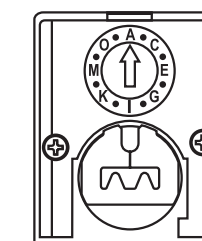
3. The minutes will now start to flash, set using the up and down arrows to select the minutes and then press enter.

## Unit Setting:

The HE-200 Remote Control Timer can be paired to 16 separate receiver units, select the unit code by pressing the unit button.



The HE-200 comes with a preset to Group code A. When using additional remote control timers you will need to select a new group code. To select a new group code, remove the battery cover and using a small screw driver, rotate the group dial to a new setting e.g. Group B



## Setting Timer :

The HE-200 remote control timer can store up to 12 different timer programs, ideal for switching on lights throughout the home for added security.

To program the remote control:

1. Press and hold the "Timer" button for 3 seconds, the display will show the 12 available memory spaces. Use the arrows keys to select a memory space, the display will also show any programmed times already saved. Press "Enter" to select the program space.

2. Press and hold the "Timer" button for 3 seconds, the display will show the 12 available memory spaces. Use the arrow keys to select a memory space, the display will also show any programmed times already saved. Press "Enter" to select the program space.

3. The start or On time will start to flash, use the arrow keys to select the hours and press enter to select the min. Now select the finish or off time.

4. Finally select the program mode using the arrows keys and press enter to confirm.



Daily Timer Setting: Activates the program daily



Security Setting: Selecting the security mode will switch the receiver units "On/Off" randomly through out the set time.  
 On = between 40Min - 2Hrs  
 Off = between 40Min - 3Hrs



Single Timer: Activates the program for a single time only.

5. Press Timer to exit the setting mode

