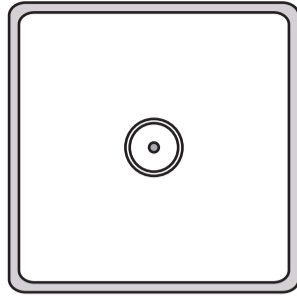




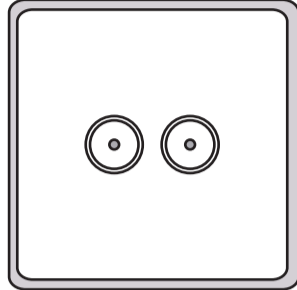
RE-INVENTING THE HOME

## Home Easy Remote Control Dimmer Light Switches

The HomeEasy series of remote control light switches allows you to control your lights manually or using a HomeEasy remote controls (Except HE-200). The dimmer module is suitable for 1-way circuits. For 2-way switching (or Multi-way switching) use this master unit with any number of dimming slave units (Contact Byrons directly - see contact details).



1Gang 400W Dimmer



2Gang 250W Dimmer

V1.0

NOTE: Certain transformer types may not operate according to their stated power rating when used with the dimmer switch, to avoid overloading of the dimmer it will turn down the brightness of the lights. A digital transformer or higher rated dimmer module may be required to resolve this problem.

### Installation Guide

1. Remove the decorative front plate from the HomeEasy Dimmer, place a small screw driver into one of the side slots so that the screw driver is between the inside edge of the front plate and the outer edge of the clear plastic and, gently twist.
2. Isolate the electrical supply to the lighting circuit.
3. Remove the existing switch and disconnect the wiring from the switch terminals, take note of the wiring of the switch and the terminal markings. Where there are two or more wires together in the old switch they must be kept together in the new Home Easy dimmer.
4. Ensure that the wall (back) box has a minimum depth of 25mm and is free from plaster or projecting screw heads. If using wall box with 4 fixing lugs, the top and bottom lug must be removed to allow the dimmer switch to fit.
5. Connect the wiring as per the diagrams below, Additional slave units will allow for 2-way operation, these additional units can only be operated manually. Contact Byrons for your local distributor.

### INSTALLATION WARNINGS: BEFORE COMMENCING INSTALLATION ISOLATE YOUR MAINS ELECTRIC SUPPLY

Read the instructions care fully before starting the installation process and keep them for future reference. If you are in any doubt on the installation process, consult a qualified electrician.

This product should be installed in accordance with the relevant sections of the building regulations code, and the current edition of the IEE Wiring Regulations (BS 7671: Requirements for electrical installations) and appropriate statutory regulations.

As of 1 April 2004, new installations in the UK should be wired using the EU harmonised colours for the supply conductors:

New colours:

BROWN = Live BLUE = Neutral Earth = Yellow/Green

Old colours:

RED = Live BLACK = Neutral

Electrical installations in bathrooms, kitchens, gardens, floor and heating systems, swimming pools, saunas and extra-low voltage lighting are classed as special installations and must be certified by an approved competent electrical contractor conforming to Part P, requirements of BS 7671:2001 and appropriate statutory regulations.

### Installation Notes:

Compatibility:	
Compatible - lighting products	Mains Voltage GLS or cable bulbs. Dimmable Electronic Low voltage transformers (see Transformer section) GU10 and equivalent HI spot mains halogen bulbs
non-compatible - products	Fluorescent and compact fluorescent bulbs Wire wound and Toroidal transformers Electric Motors

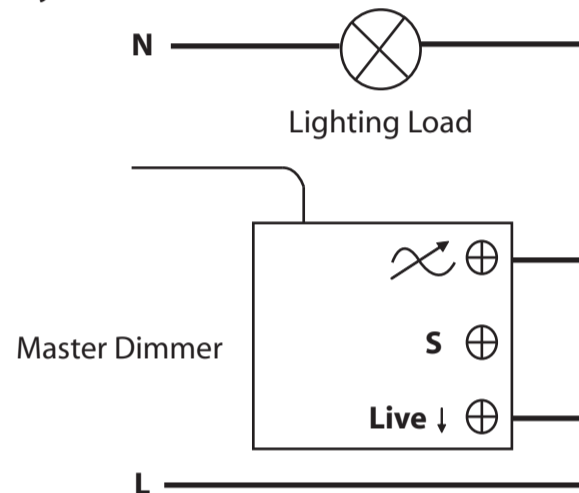
### Over Load Protection:

The HomeEasy dimmer switch is design to self protect against over loading and over heating, this can occur when bulbs age. The dimmer module will automatically dim the light or turn the lights off completely until the excess load is removed, to reset the dimmer from the protection mode switch the lights off then on.

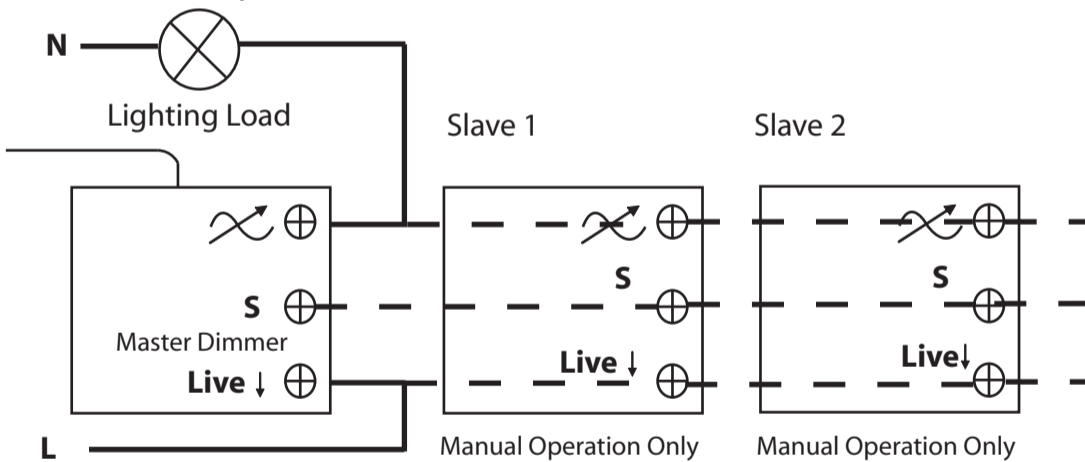
### TRANSFORMERS:

- Use only with electronic transformers.
- To Calculate the Load, add the VA ratings of the transformer (not the bulb wattage)
- Choose transformers with a maximum rating close to the lamp load e.g. 50VA,, 60VA or 70VA to control a 50 W low voltage bulb
- Wire Wound and Toroidal transformers are not compatible with the HomeEasy Light switch's (see compatibility), if connect the dimmer will immediately turn off. If this occurs more than times the dimmer will block any further use, to unblock the dimmer it will need to be disconnect from the mains supply then reconnect (see installation guide).

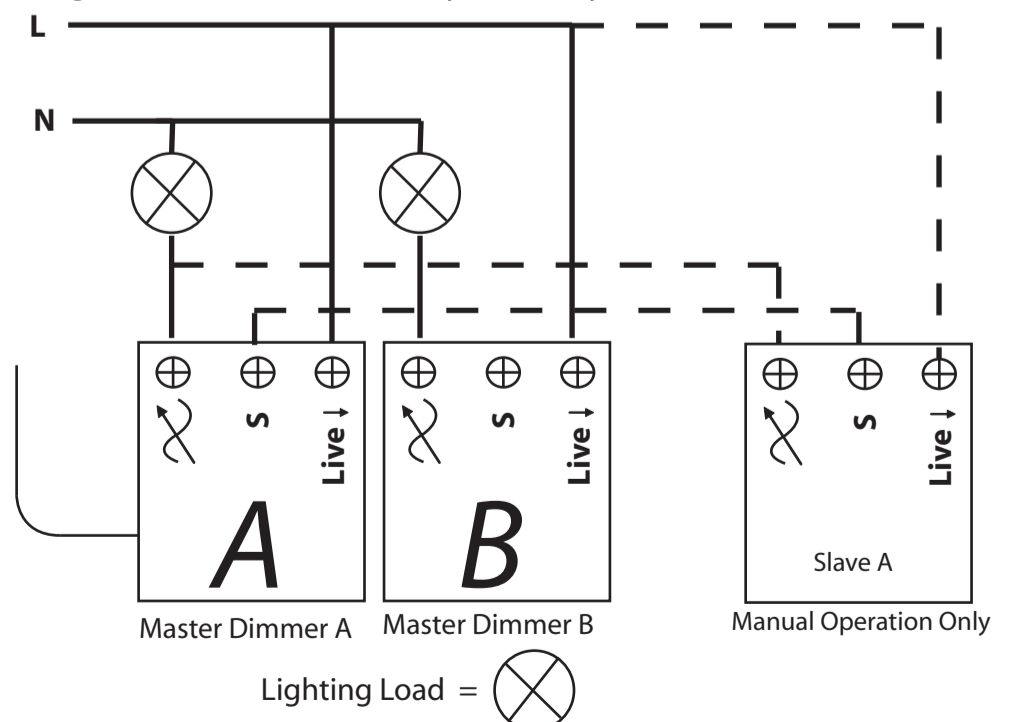
### HomeEasy Remote Control Master t: 1Gang 1-Way Circuits



### HomeEasy Remote Control Master unit 2-Way/Mult-Way Circuits (Slave units will not operate with a HomeEasy Reomte Control)



### HomeEasy Remote Control: 2Gang Dimmer Switch with 2way and 1way



**NOTE:** When using 2 gang dimmer switch, module A must be connected to the lighting circuit. Module A will operate independently, Module B will only operation when module A is connected.

**6.** Ensure that all wires are fully sleeved and that only enough bare is available to connect to the terminal. All wire must be fully inserted into the terminals and fully tightened, so that the wires are secure and no bare wires are protruding.

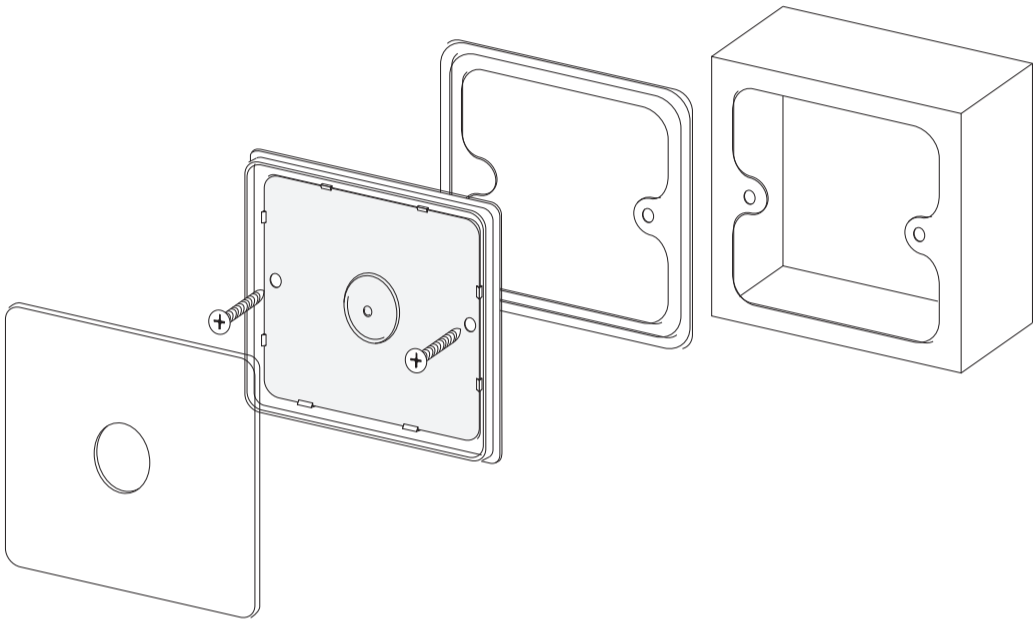
Dimmers with a metal cover plate must have an earth by means of the earth connect point on the dimmer module

**7.** When the wires are connected, gently screw the dimmer unit into the wall box, making sure that the plastic spacer is correctly aligned and that no wires are trapped between the switch and the back of the wall box.

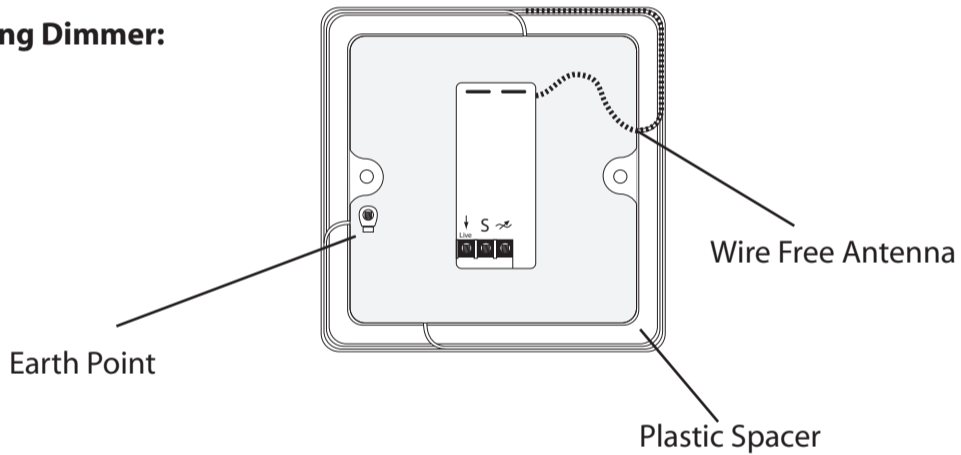
**8.** Replace the cover plate and restore the mains electrical supply. The dimmer now needs to be activated. Press and hold the each of the touch button(s) for 2 seconds to initialise the dimmer.

**9.** The dimmer now needs to be paired with a HomeEasy Remote control - See Pairing/Deleting With Remote Control.

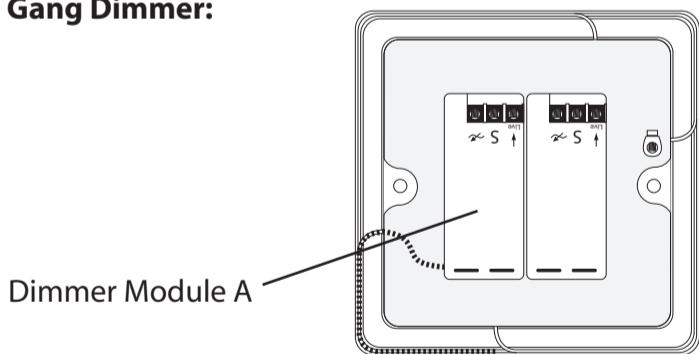
The HomeEasy Dimmer Switch is compatible with all HomeEasy Remote Controls except the HE200 Programmable Timer Remote Control.



**1 Gang Dimmer:**



**2 Gang Dimmer:**



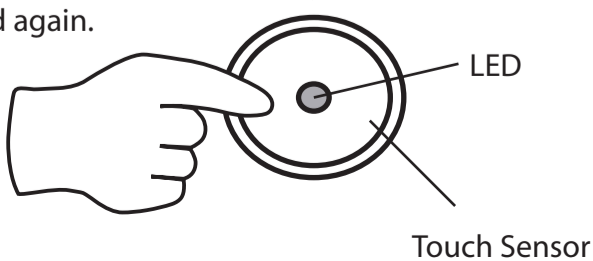
**Manual Operation:**

**Switching ON/OFF:**

To switch the HomeEasy light switch "ON" press the touch sensor once and, press the touch sensor again to switch the unit "OFF".

**Dimming:**

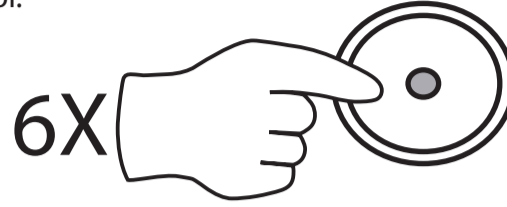
To dim the HomeEasy Dimmer switch manually, switch on the lights and then press and hold the touch sensor, the dimmer will now enter the dimming cycle, to select the required level release the touch sensor. To change direction of the dimming cycle release the button and then press and hold again.



**Remote Control Operation:**

**Pairing with Remote Control:**

Up to Six remote control units can be paired with each HomeEasy Dimmer Switch. To program the dimmer switch, switch the lights On and Off six times. The LED will now start to flash and lights will dim up and down in steps, now press the "ON" button on the remote control, the lights will flash on and off, a second remote control can now be paired to the dimmer switch or press the touch sensor to exit the pairing mode. The units are now paired together, you can test this by pressing the selected "ON/OFF" button on your remote control.



Always refer to the original instruction when using with additional products

**Deleting Remote Control:**

To delete a remote control that has been paired with a dimmer switch, simply switch the lights On and Off six times. The LED will start to blink and lights will dim up and down in steps; press the "Off" button on the remote control, the lights will flash on and off to confirm that the remote control has been removed from the dimmers memory. A second remote control can now be deleted from the dimmer switch or press the touch sensor to exit the mode.

**Channel reset:**

To delete all the remote control units from the memory of the dimmer switch, switch the lights On and Off six times, the LED will start to blink and lights will dim up and down in steps, switch the lights On and Off a further six times. The lights will flash on and off, to confirm that the memory has been reset, press the touch sensor to exit the reset mode.

**Product Specification:**

1Gang Dimmer Switch: HE-107  
 Input: 230V ~50Hz  
 Load: 400W Max Min:40W  
 Range: 25 Metres (Open Distance)  
 Frequency: 433.92MHz  
 Indoor Use Only

2Gang Dimmer Switch: HE-108  
 Input: 230V ~50Hz  
 Load: 250W Max Min:40W  
 Range: 25 Metres (Open Distance)  
 Frequency: 433.92MHz  
 Indoor Use Only

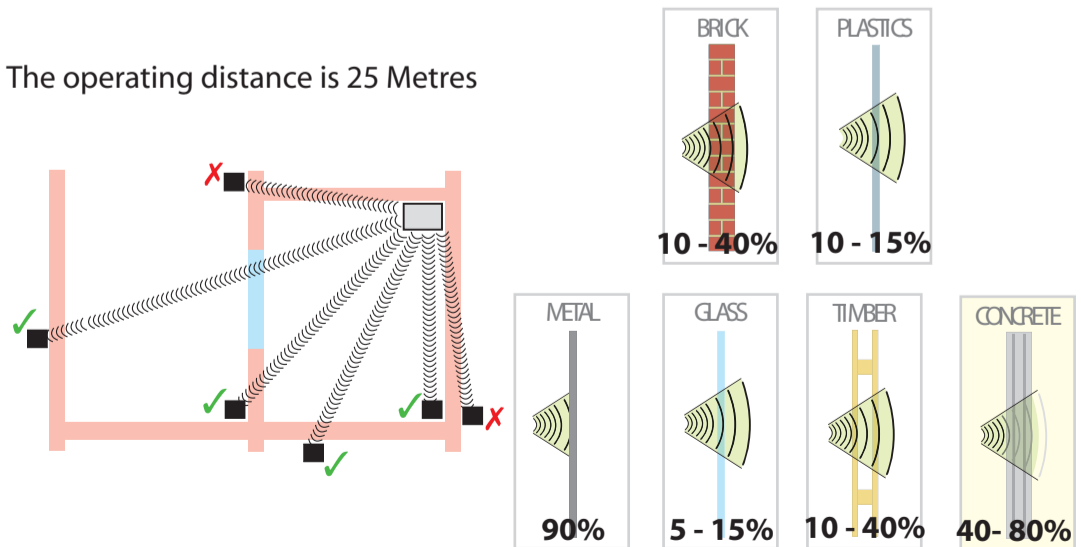
**Warning:** Never Exceed the Product Specification

**Range Reduction Guide:**

The radio operating distance is reduced when the signal has to pass through solid objects and the material type i.e. internal walls.

Tip: Using a plastic wall (back)box will increase the operating range of the dimmer switch.

The operating distance is 25 Metres



**Contact:**

**Helpline: 0845 2301 231**

C H Byron  
 34, Sherwood Rd  
 Aston Fields  
 Bromsgrove  
 B60 3DR

Tel: 0845 2301231  
 Fax: 01527 557701  
 Web: www.chbyron.com  
 E-mail: support@chbyron.com

