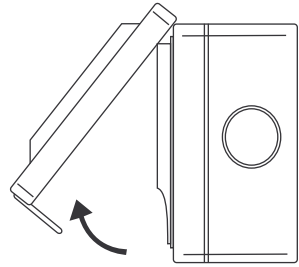


HE-414 Remote Control Outdoor

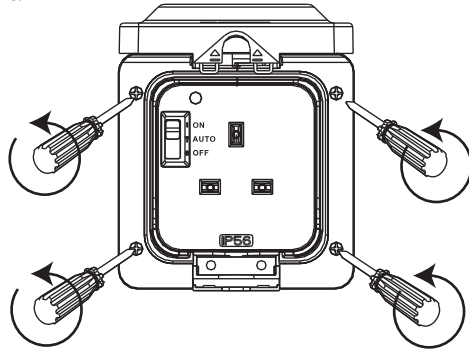
V1.0

Opening Unit:

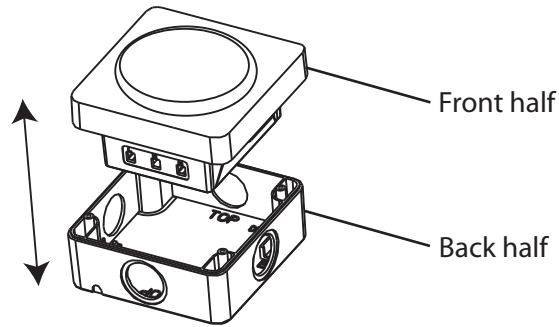
1. Open up the front, flip top cover.



2. Unscrew the four screws shown. To separate the front, from the back of the unit.



3. After all 4 screws have been removed; the front will separate from the back.



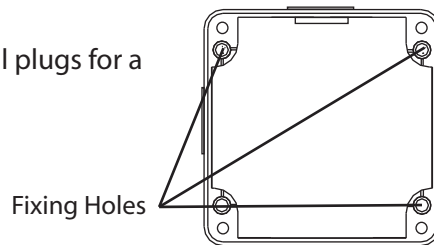
Mounting Socket:

1: In the back half of the unit, in all four corners are purpose made holes for fixing your remote socket to your intended surface. The outdoor socket needs to be mounted onto a flat, vertical surface. Free from grease, loose material and any corrosive substances. We recommend a house or sturdy garden wall.

2. Using the back half of the unit as a template, pencil mark all four corners onto your chosen surface. Making sure 'TOP' (marked on the casing is at the top).

3. Drill all four marked holes and insert suitable wall plugs for a number '8' screw (recommended size).

4. Screw to the wall.



Wiring Remote Socket:

On the back half of the remote socket you will see that there are 4 circular shaped disks ('Entry blanks') on each side (3 are plastic, 1 is rubber). Depending on if you wish to link up more than one 'Outdoor remote socket' you can remove or replace these disks.

It is recommended that the bottom most 'Entry blank' should be removed to gain entry into the 'Outdoor Remote Socket'. This will help keep the moisture out.

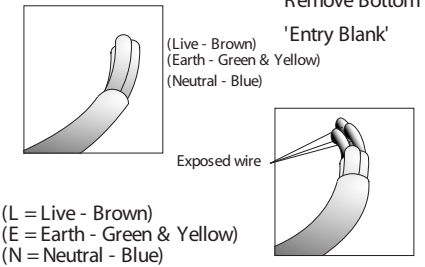
If installing the Outdoor socket with conduit from the sides or top attachment, a 5mm hole must be drilled through the bottom left drainage hole. This will allow for any condensation forming in the conduit, to drain out. Caution: opening the drainage hole will affect the IP rating of the product. Ensure that jetted water is not directly sprayed onto the unit.

Do Not drill out the drainage hole when installing the Outdoor socket into a dusty environment. Always install the unit via the bottom cable entry, making sure that a 5mm hole is drilled into the lowest point in the conduit system.

1. Switch off and isolate the mains power before altering the code setting

2: Cut back the cable to reveal 3 separate wires

L= Live Brown
E= Earth Green & Yellow
N= Neutral Blue

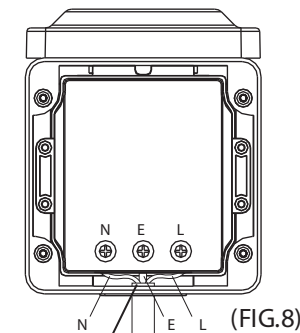


3. Now strip each wire, exposing 10mm of its

4. Send the cable through the conduit and into the 'Outdoor Remote Socket'

3: Insert the exposed core wires into their related terminals and clamp down by tightening the respective screw.

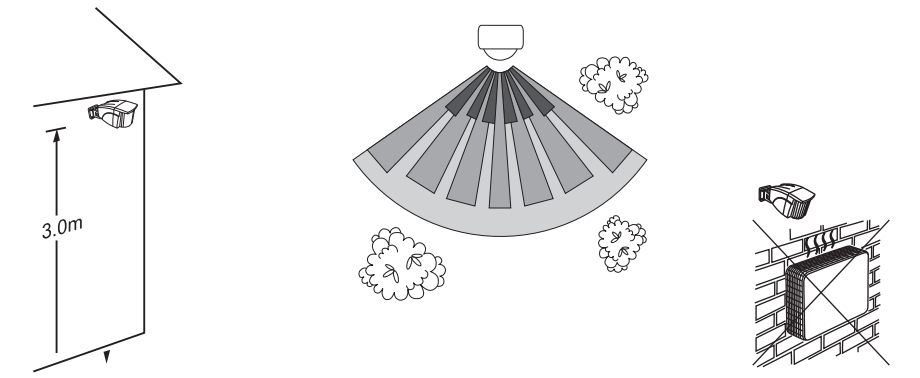
L= Live Brown
E= Earth Green & Yellow
N= Neutral Blue



Please Note: The Cable is up inside the box, so that no wires can be seen.

Installation:

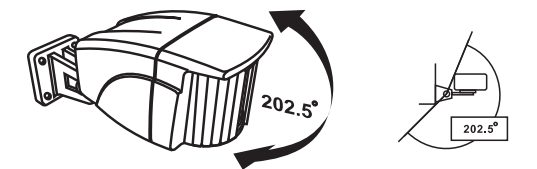
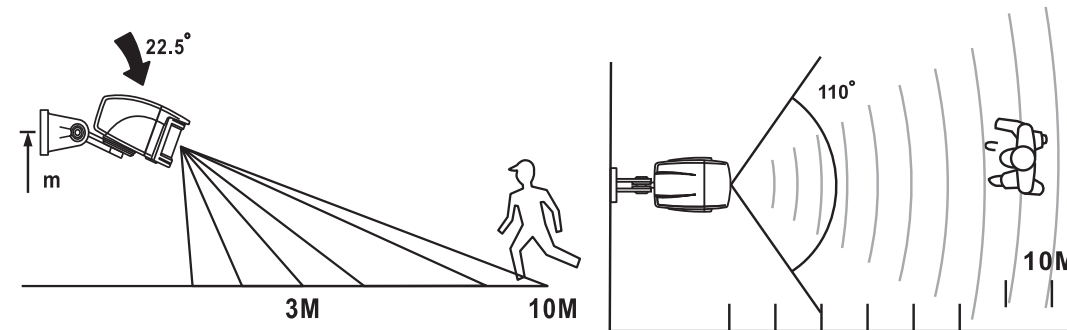
1. First select your required location, it's recommended that the PIR is installed approximately 3 metres off the ground (ideally under the eaves of the building) and, away from direct sources of sunlight and heat.



Avoid Direct Heat Sources

Warning: Avoid installing the Remote Control PIR onto metallic surfaces and above heating vents as this will affect the operating performance.

Detection Distance

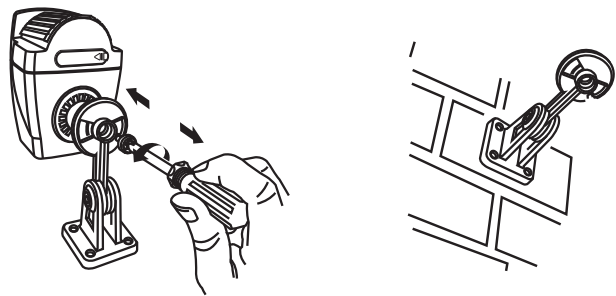


INSTALLATION WARNING:
ON INSTALLATION TURN OFF YOUR MAINS ELECTRIC SUPPLY

This product should be fitted by a competent person in accordance with the instructions listed below and with the relevant clauses of the IEE wiring regulations BS7671.

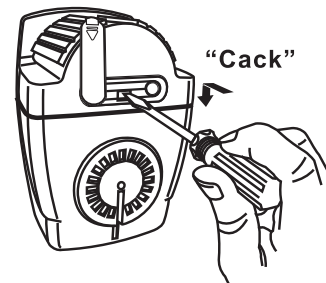
The outdoor socket should be used in conjunction with a fused spur connection, all connections to the socket need to be made as instructed, making sure that the cable used is appropriate for the installation environment, free from stress & terminals are tightened fully.

2. Remove the PIR unit from the base and using the mounting bracket as a template mark and drill appropriate holes and fix the bracket securely using the appropriate screws and wall plugs (included).

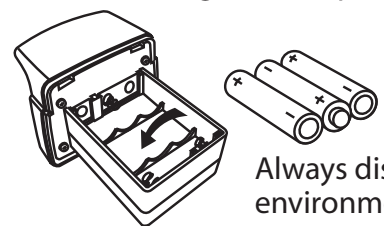


Changing Batteries:

1. Unclip the battery cover from the bottom of the PIR using a small screw driver.

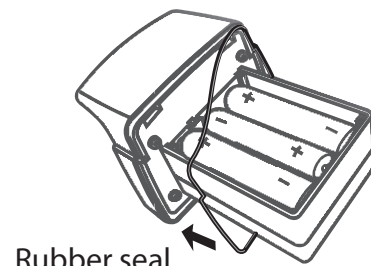


2. Remove the batteries and replace using 3 new 'AAA' batteries, making sure the polarity is correct.

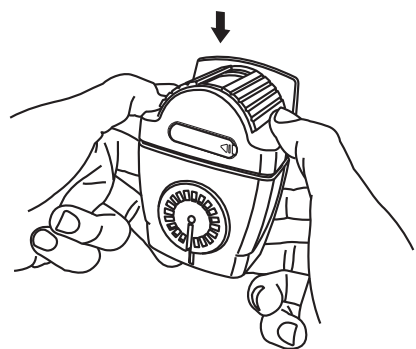


Always dispose of old batteries in an environmentally responsible way

3. Replace the battery cover making sure the rubber seal is correctly aligned and firmly push the case together.



Rubber seal



WARNING:

You MUST install an earth cable between the origin of the installation and the earth terminal of the outdoor socket. This must be insulated inside a sleeve protector within the conduit.

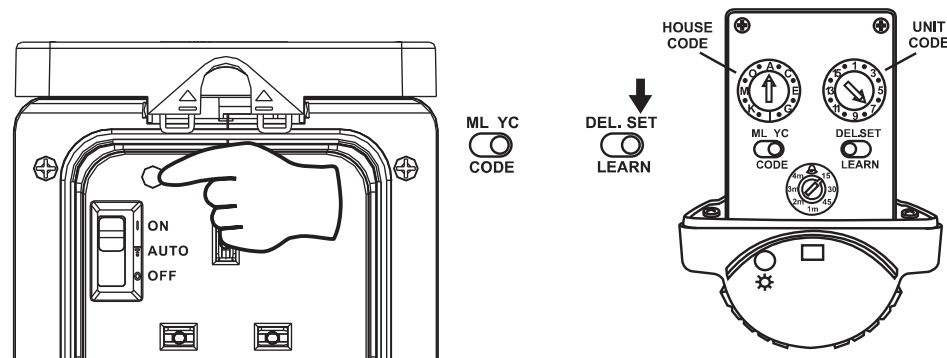
If using metal conduit, earth continuity must be maintained between conduits. Seal Conduit and conduit entry with a non setting conduit sealant. Purchasable from your local electrical retailer.

Pairing/Deleting with Remote Control:

To pair the outdoor PIR with a receiver unit, remove the battery cover and, slide the switch to DEL. if required select a new group or unit code (using additional PIR units).



Up to Six remote control units can be paired with each HomeEasy Receiver socket or module, press the "Learn" button. The LED will start to flash, now slide the "LEARN" switch to "SET", the units are now paired together.



Deleting Remote Control:

To delete the PIR from the memory of a HomeEasy receiver socket or module, simply press the "Learn" button. The LED will start to blink; slide the "LEARN" switch to "DEL", the LED will blink twice to confirm that the remote control has been removed from the receiver sockets memory.

Remote Socket reset:

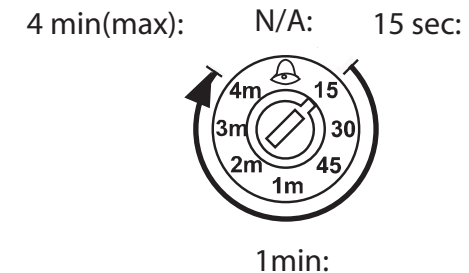
To delete all the remote control units from the memory of the receiver socket, hold the "Learn" button for more than 6 seconds, the LED will start to blink continuously. Press the learn button again, the LED will blink twice to confirm the deletion of all remote controls from the receiver memory.

Setting Timer :

The HomeEasy Outdoor PIR will active for a predefined period of time when activated, this can be set between 15 seconds and 4 minutes.

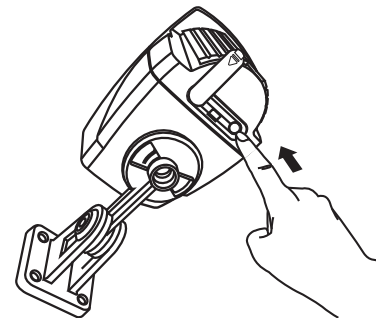
To select the time period, remove the battery cover and using a small screw driver rotate the dial to select the required time.

Timer Setting:



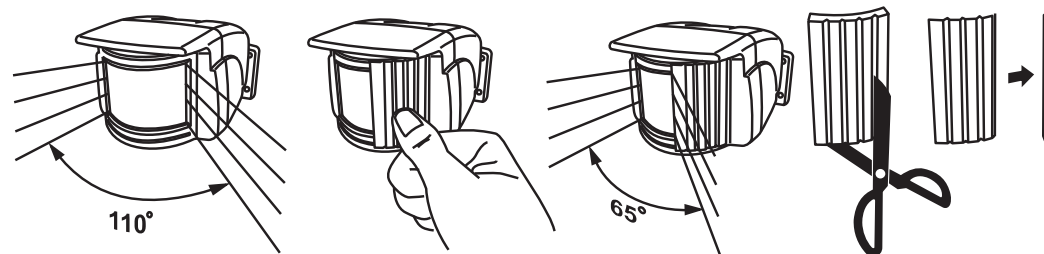
Day/Night Setting:

The PIR can operate 24Hrs a day or at night (Low Level Conditions <10Lux). To select night only mode, remove the cover from the bottom of the PIR and press the "LUX" button as shown below.



Detection Area:

The PIR detection area is 110 degrees, this can be reduced using the clip-on covers (included). if required the covers can be cut to size.



if required the covers can be cut to size.

Help Section :

- No Activation: -Check the battery life and pairing with receiver socket or module.
- Receiver stays ON continuously: -The PIR might be receiving false signals due to the selected location, try adjusting the angle.
- Radom Activation: -Wind/rain can cause the PIR unit to activate, try a new location if needed.
-Small animals can activate the PIR.
-Try selecting a new address code.
-Passing traffic or pedestrian can activate the PIR, alter the detection angle.

RF Range: The radio signals operating distance is reduced when the signal has to pass through walls. The radio signals achieve a range of 25m; this can be reduced depending on the type of material.

Product Specification:

Remote Control: Receiver HE-410
Input: 230V ~50Hz
Range: 30 Metres (Open Distance)
Frequency: 433.92MHz
Max Load: 3000W (Resistive)
IP56 (Lid Clip closed)

Remote Control PIR: HE-403
Battery: 3 * AAA
Range: 25Metres (Open Distance)
Frequency: 433.92MHz
IP44 Weather Proof

Warning: Never Exceed the Product Specification

Contact:

C H Byron
34, Sherwood Rd
Aston Fields
Bromsgrove
B60 3DR

Helpline: 0845 2301 231

Tel: 0845 2301231
Fax: 01527 557701
Web: www.chbyron.com
E-mail: support@chbyron.com

