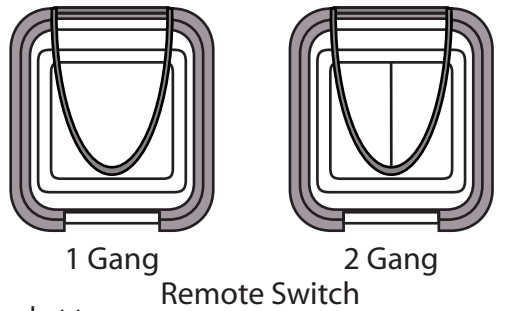


HE-410 & HE-420 IP56 V1.0
Remote outdoor socket and Switch

The HomeEasy Outdoor Socket kit allows you to control your outdoor lighting and ponds etc simply and easily.
The remote control outdoor socket can be set to operate in one of three settings:



AUTO: Allows the remote control outdoor socket to switch on/off using the remote control, allowing you to control your outdoor lighting from any point.

ON: Sets the remote control outdoor socket as a standard outdoor socket.
USE THIS OPTION WHEN USING GARDEN MACHINERY SUCH AS A LAWNMOWER OR HEDGECUTTERS.

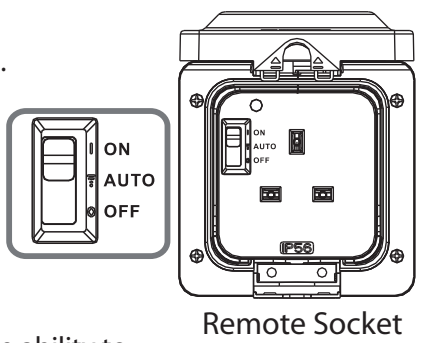
OFF: An additional safety feature of the HE410 is the ability to switch off the power to the unit as per a normal socket.

When installing secondary Outdoor receiver sockets always place the units approximately 30-40cm apart.

INSTALLATION WARNING:
ON INSTALLATION TURN OFF YOUR MAINS ELECTRIC SUPPLY

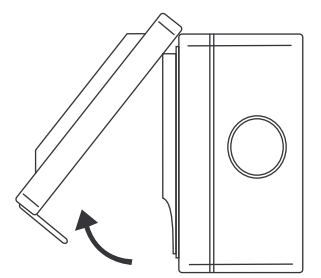
This product should be fitted by a competent person in accordance with the instructions listed below and with the relevant clauses of the IEE wiring regulations BS7671.

The remote outdoor socket should be used in conjunction with a fused spur connection, all connections to the socket need to be made as instructed, making sure that the cable used is appropriate for the installation environment, free from stress & terminals are tightened fully.

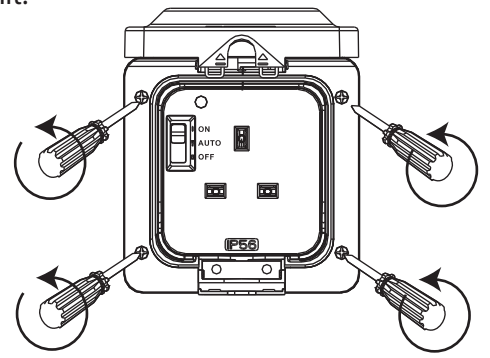


Opening Unit:

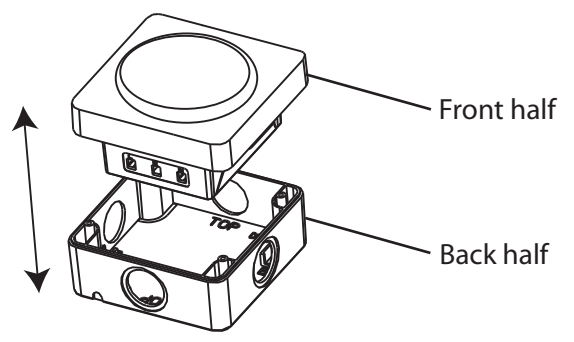
1. Open up the front, flip top cover.



2. Unscrew the four screws shown. To separate the front, from the back of the unit.



3. After all 4 screws have been removed, the front will separate from the back.



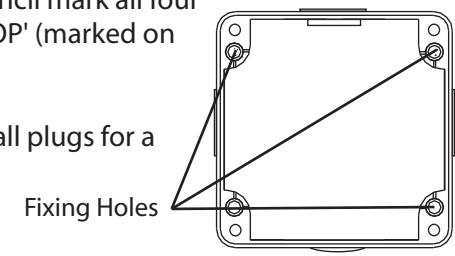
Mounting Socket:

1: In the back half of the unit, in all four corners are purpose made holes for fixing your remote socket to your intended surface. The HE-410 needs to be mounted onto a flat, vertical surface. Free from grease, loose material and any corrosive substances. We recommend a house or sturdy garden wall.

2. Using the back half of the unit as a template, pencil mark all four corners onto your chosen surface. Making sure 'TOP' (marked on the casing is at the top).

3. Drill all four marked holes and insert suitable wall plugs for a number '8' screw (recommended size).

4. Screw to the wall.



Wiring Remote Socket:

On the back half of the remote socket you will see that there are 4 circular shaped disks ('Entry blanks') on each side (3 are plastic, 1 is rubber). Depending on if you wish to link up more than one 'Outdoor remote socket' you can remove or replace these disks.

It is recommended that the bottom most 'Entry blank' should be removed to gain entry into the 'Outdoor Remote Socket'. This will help keep the moisture out.

If installing the outdoor socket with conduit from the sides or top attachment, a 5mm hole must be drilled through the bottom left drainage hole. This will allow for any condensation forming in the conduit, to drain out.

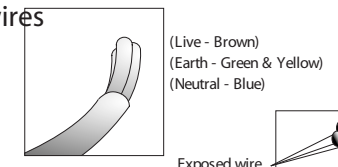
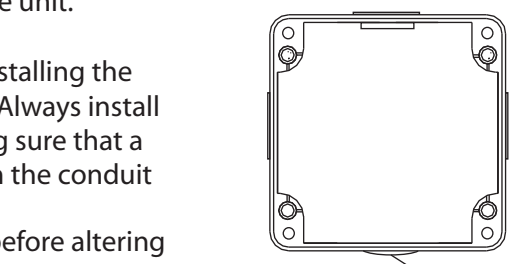
Caution: opening the drainage hole will effect the IP rating of the product. Ensure that jetted water is not directly sprayed onto the unit.

Do Not drill out the drainage hole when installing the Outdoor socket into a dusty environment. Always install the unit via the bottom cable entry, making sure that a 5mm hole is drilled into the lowest point in the conduit

1. Switch off and isolate the mains power before altering the code setting

2: Cut back the cable to reveal 3 separate wires

- L= Live Brown
- E= Earth Green & Yellow
- N= Neutral Blue



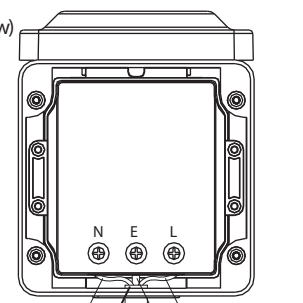
3. Now strip each wire, exposing 10mm of its

4. Send the cable through the conduit and into the 'Outdoor Remote Socket'.

- (L = Live - Brown)
- (E = Earth - Green & Yellow)
- (N = Neutral - Blue)

3: Insert the exposed core wires into their related terminals and clamp down by tightening the respective screw. If you are not using 3 core wire:

- L= Live Brown
- E= Earth Green & Yellow
- N= Neutral Blue



Please Note: The Cable is up inside the box, so that no wires can be seen.

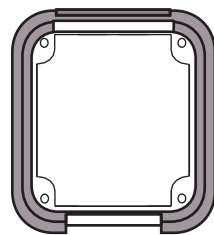
WARNING:

You MUST install an earth cable between the origin of the installation and the earth terminal of the outdoor socket. This must be insulated inside a sleeve protector within the conduit.

If using metal conduit, earth continuity must be maintained between conduits. Seal Conduit and conduit entry with a non setting conduit sealant. Contact your local electrical retailer.

Switch Installation:

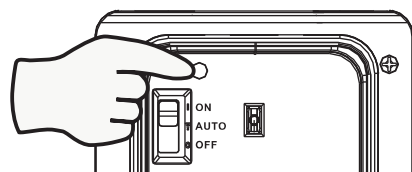
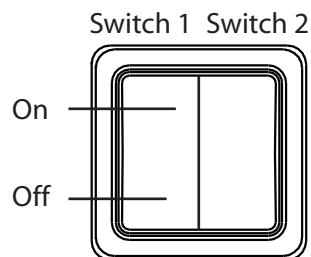
Remove the switch unit from the protective casing, attach the casing to the wall using the screws and wall plugs provided. Reinsert the switch unit into the protective casing making sure the unit is the correct way up.



WARNING: attaching the outdoor switch to a metallic surface will reduce the operating distance.

Product Operation:**Pairing/Deleting with Remote Control:**

Up to Six remote control units can be paired with each outdoor socket. To pair the switch and socket together, press the "Learn" button. The LED will start to flash, now press the selected "On" button on the remote control, the LED will stop flashing. The units are now paired together, you can test this by pressing the selected "ON/OFF" button.



Always refer to the original instruction when using with additional products.

Deleting Remote Control:

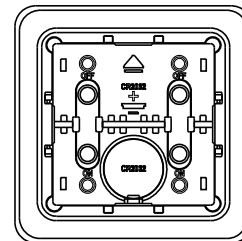
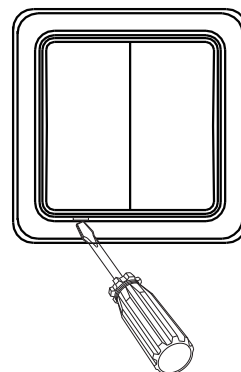
To delete a remote control that has been paired with an outdoor receiver socket, simply press the "Learn" button. The LED will start to blink; press the off button on the remote control, the LED will blink twice to confirm that the remote control has been removed from the receiver sockets memory.

Remote Socket reset:

To delete all the remote control units from the memory of the receiver socket, hold the "Learn" button for more than 6 seconds, the LED will start to blink continuously. Press the learn button again, the LED will blink twice to confirm the deletion of all remote controls from the receiver memory.

Changing Battery:

Remove the switch unit from the protective casing, using a small screwdriver remove the front cover of the switch unit.



Replace the battery with a new CR2032 battery (Byron SX100), making sure the polarity is correct.

Replace the front cover and reinsert the switch unit into the protective enclosure.

Help Section :

Help: Occasionally interference from adjacent receiver sockets and low voltage products (Transformers) can affect the operating range. Always Try to locate addition outdoor sockets a minimum of 30cm apart.

RF Range: The radio signals operating distance is reduced when the signal has to pass through walls. The radio signals achieve a range of 30 metres line of sight; this can be reduced depending on the type of material and localised interference.

Product Specification:

Remote Control: HE-410
 Input: 230V ~50Hz
 Range: 30 Metres (Open Distance)
 Frequency: 433.92MHz
 Max Load: 3000W (Resistive)
 IP56 (Lid Clip closed)

Remote Control: HE-401/402
 Input: CR2032 Battery
 Range: 30 Metres (Open Distance)
 Frequency: 433.92MHz

Warning: Never Exceed the Product Specification

Contact:

C H Byron
 34, Sherwood Rd
 Aston Fields
 Bromsgrove
 B60 3DR

Helpline: 0845 2301 231

Tel: 0845 2301231
 Fax: 01527 557701
 Web: www.chbyron.com
 E-mail: support@chbyron.com

