



HE-309 Remote Control Bulbholder & Switch

RE-INVENTING THE HOME

V1.0

Timmer Setting:

The HE-305 has 8 selectable timer functions, switching on a Remote Control Receiver socket or module for:

- 0 - Open (On) Closed (Off)
- 2M - 2 min
- 4M - 4 min
- 8M - 8 min
- 20M - 20 min (Max)
- 8M - 8 min
- 10M - 10 min
- 15M - 15 min

To select the required timer settings use a small screwdriver to rotate the dial on the reverse of the base unit.

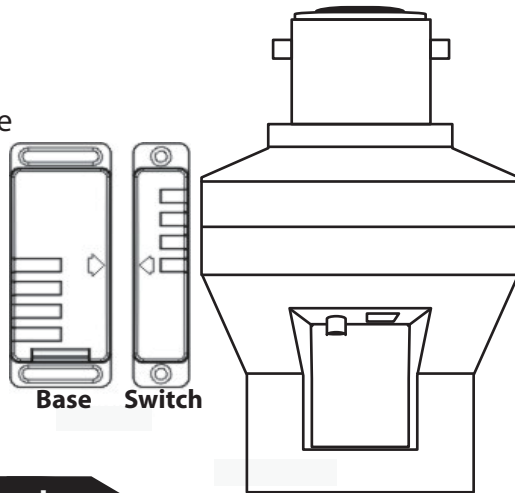
Location:

The HE-305 can be used in any location where the switch unit will move a minimum of 20mm from the base unit and no further than 10mm part when together.

Attach the HE-305 in the required location using 4 screws (included).

The HomeEasy HE-309 is a make or break security timer for the home. When the switch is activated, the remote control will switch light on for between 2min -20min. Ideal for hall and entrance ways.

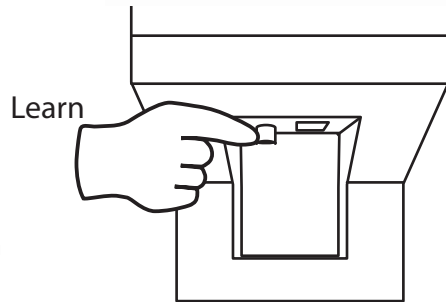
- Ideal for Door/Window Frames
- 30Metre Wire Free Range
- 100W Load



Pairing/Deleting with Remote Control:

Up to Six remote control units can be paired with each receiver socket or module. To program a socket press the "Learn" button. The LED will start to flash, move the switch away from the base unit (at least 10mm) the LED will stop flashing.

The units are now paired together.

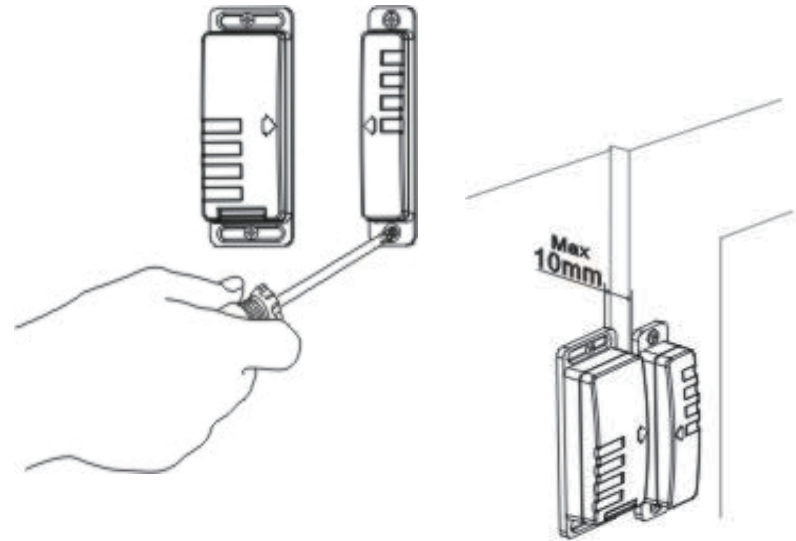


Always refer to the original instruction when using with additional products.

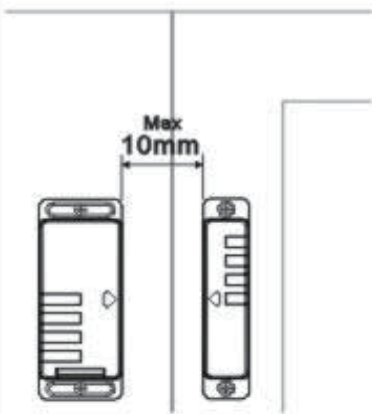
Deleting Remote Control:

To delete a remote control that has been paired with a HomeEasy Receiver Socket or modules, move the switch unit away from the base (min:10mm apart) so that they are open. Then press the "Learn" button, the LED will start to blink; move the switch to the base so that the units are together.

The LED will blink twice to confirm that the remote control has been removed from the receiver's memory.



Max distance of 10mm when closed



Max distance of 10mm when closed

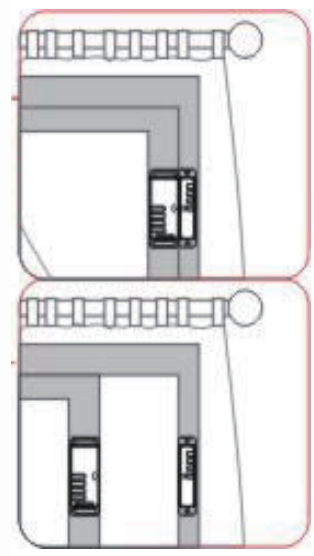
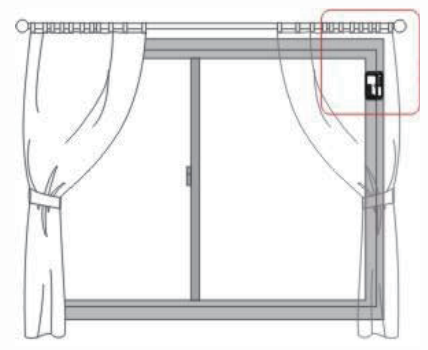
Changing Battery:

The HE-305 uses a single CR2032 battery:
Remove the battery holder located at the bottom of the remote control.

Remove the battery from the holder and replace with new battery; making sure the polarity match's the internal markings.



Example: Window Set-up



Product Specification:

Remote Control: HE-305
Battery: 3v Cr2032
Range: 30 Metres (Open Distance)
Frequency: 433.92MHz
Indoor Use Only

Remote Bulb Holder: HE-205
Input: 230V ~50Hz
Range: 30 Metres (Open Distance)
Frequency: 433.92MHz
Max Load: 100W (Incandescent)
Indoor Use Only

Warning: Never Exceed the Product Specification

Contact: Helpline: 0845 2301 231

C H Byron
34, Sherwood Rd
Aston Fields
Bromsgrove
B60 3DR

Tel: 0845 2301231
Fax: 01527 557701
Web: www.chbyron.com
E-mail: support@chbyron.com

Byron		433MHz	
R&TTE APPROVED			
CE 0560			
A	IRL	UK	M
B	I	BG	N
DK	L	CZ	SK
FIN	NL	EST	SLO
F	P	H	CH
D	E	IS	PL
GR	S	LV	RO
LT			

CH Byron Electrical United Kingdom. www.chbyron.com