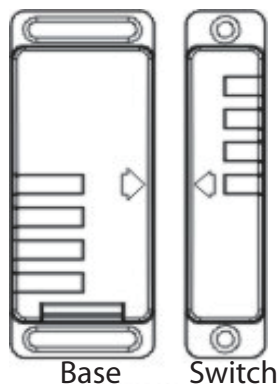


HOME
easy

HE-305 Make or Break Switch

The HE-305 make or break switch is an expansion unit for the HomeEasy range of products and is designed to work with all the HomeEasy receiver sockets and modules.

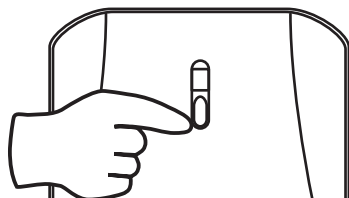
- Easy Installation
- 2Yr Standby
- On/Off Function
- Selectable Timer - 2min to 20min max
- Ideal for Windows and Doors



Pairing/Deleting with Remote Control:

Up to Six remote control units can be paired with each receiver socket or module. To program a socket press the "Learn" button. The LED will start to flash, move the switch away from the base unit (at least 10mm) the LED will stop flashing.

The units are now paired together.



Always refer to the original instruction when using with additional products

Deleting Remote Control:

To delete a remote control that has been paired with a HomeEasy Receiver Socket or modules, move the switch unit away from the base (min:10mm apart) so that they are open. Then press the "Learn" button, the LED will start to blink;

move the switch to the base so that the units are together. The LED will blink twice to confirm that the remote control has been removed from the receiver's memory.

V1.0

Timer Setting:

The HE-305 has 8 selectable timer functions, switching on a remote receiver socket or module for a set time period.

- | | |
|----------------------------|--------------------|
| 0 - Open (On) Closed (Off) | |
| 2M - 2 min | 10M - 10 min |
| 4M - 4 min | 15M - 15 min |
| 8M - 8 min | 20M - 20 min (Max) |

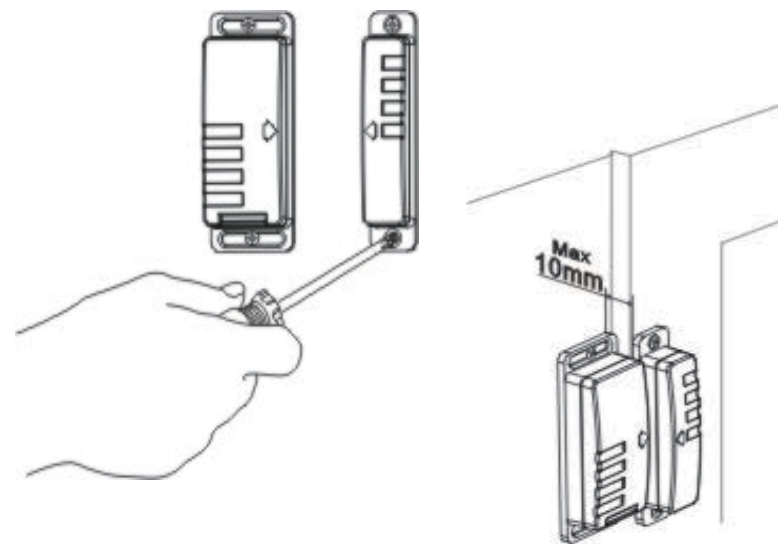


To select the required timer settings use a small screwdriver to rotate the dial on the reverse of the base unit.

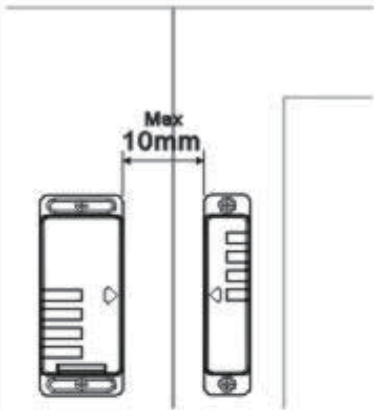
Location:

The HE-305 can be used in any location where the switch unit will move a minimum of 20mm from the base unit and no further than 10mm part when together.

Attache the HE-305 in the required location using 4 screws (included).

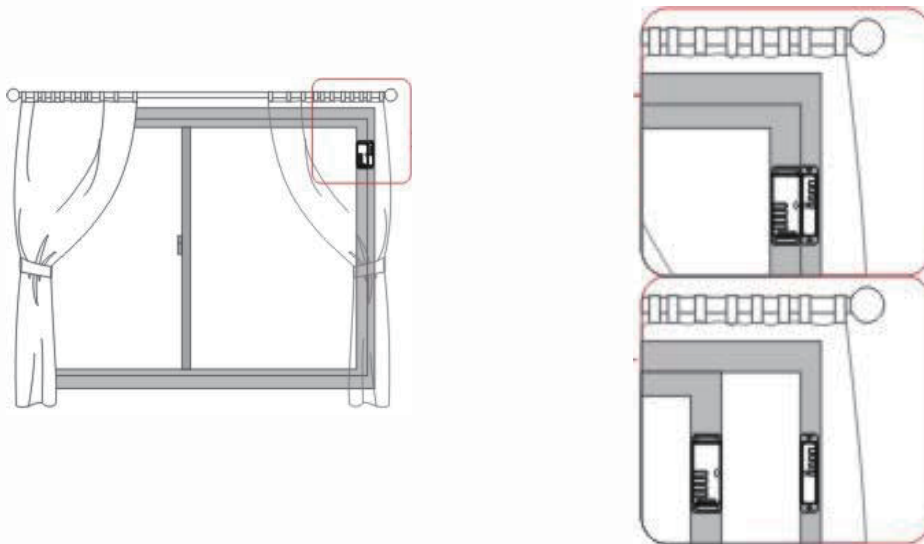


Max distance of 10mm when closed



Max distance of 10mm when closed

Example: Window Set-up



Changing Battery:

The HE-305 uses a single CR2032 battery:
Remove the battery holder located at the bottom of remote control.

Remove the battery from the holder and replace with new battery; making sure the polarity match's the internal markings.



Product Specification:

- Remote Control: HE-305
- Battery: 3v Cr2032
- Range: 30 Metres (Open Distance)
- Frequency: 433.92MHz
- Indoor Use Only

Warning: *Never Exceed the Product Specification*

Contact: Helpline: 0845 2301 231

C H Byron
34, Sherwood Rd
Aston Fields
Bromsgrove
B60 3DR

Tel: 0845 2301231
Fax: 01527 557701
Web: www.chbyron.com
E-mail: support@chbyron.com

Byron		433MHz	
R&TTE APPROVED			
A	✓	UK	✓
B	✓	BG	✓
DK	✓	CZ	✓
FIN	✓	EST	✓
F	✓	H	✓
D	✓	IS	✓
GR	✓	LV	✓
LT	✓	PL	✓
		RO	✓
		SK	✓
		SLO	✓
		CH	✓
		PI	✓
		RO	✓

CE 0560