

HOME
easy

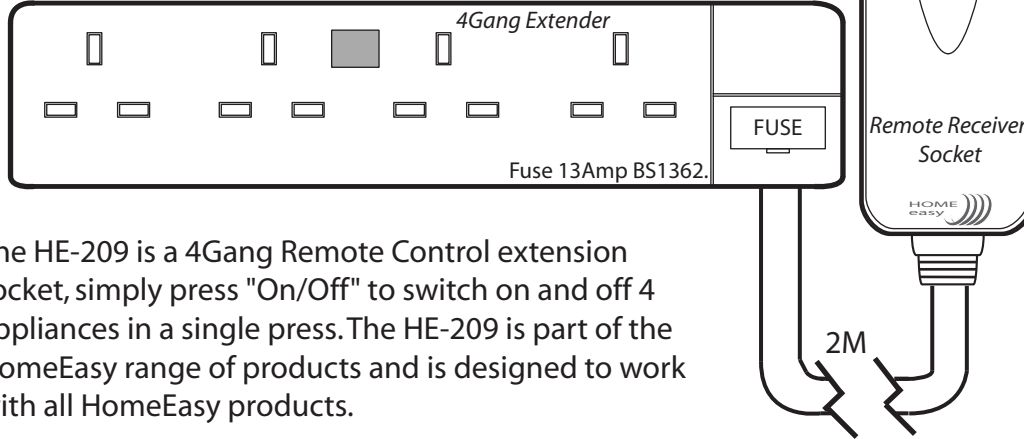


HE-209 4Gang Extender

V1.0

Learn:

RE-INVENTING THE HOME



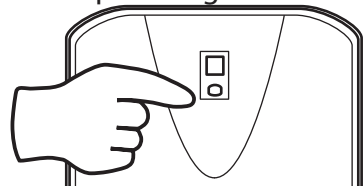
The HE-209 is a 4Gang Remote Control extension socket, simply press "On/Off" to switch on and off 4 appliances in a single press. The HE-209 is part of the HomeEasy range of products and is designed to work with all HomeEasy products.

Product Operation:

Pairing/Deleting with Remote Control:

Up to Six remote control units can be paired with each 4Gang Receiver Socket. To program the 4Gang Extender, insert the Receiver Socket into a plug socket and switch on the power, now press the "Learn" button. The LED will start to flash, now press the selected "On" button on the remote control, the LED will stop flashing. The units are now paired together, you can test this by pressing the selected "On/Off" button, the red power light will switch on when the 4gang extension is on.

The HE-209 has a max combined load for the 4 individual extension sockets of 3000W.



Deleting Remote Control:

To delete a remote control that has been paired with a 4Gang Extender, simply press the "Learn" button. The LED will start to blink; press the "Off" button on the remote control, the LED will blink twice to confirm that the remote control has been removed from the receiver sockets memory.

Remote Socket reset:

To delete all the remote control units from the memory of the 4Gang Extender, hold the "Learn" button until the LED starts to blink continuously. Press the "Learn" button again, the LED will blink twice to confirm that all paired remote controls have been deleted from the receiver sockets memory.

Changing Battery:

Remote control unit:

Pull out the battery slide holder from the bottom of the controller. Replace the CR2023 (Byron SX100) battery making sure the polarity is correct as per markings inside the case.

Outdoor Socket:

No batteries are required for the 4gang Extension unit.

Changing Fuse:

The HE-209 is fitted with a 13Amp BS1762, to replace the fuse:

- 1: Using a small screwdriver remove the fuse holder from the 4gang extension unit.
- 2: Replace the fuse with a 13Amp BS1762.
- 3: Replace the fuse holder, making sure the holder is correctly pushed in.

Product Specification:

4Gang Extension: HE-209

Input: 230V ~50Hz

Range: 30 Metres (Open Distance)

Frequency: 433.92MHz

Max Load: 3000W

(Combined Resistive load)

Indoor Use Only

** All 4 extension sockets will switch on and off together.*

Warning: Never Exceed the Product Specification

Remote Control: HE-300

Input: 3v Cr2032 (Byron Sx100)

Frequency: 433.92MHz

Indoor Use Only

Contact:

C H Byron
34, Sherwood Rd
Aston Fields
Bromsgrove
B60 3DR

Helpline: 0845 2301 231

Tel: 0845 2301231
Fax: 01527 557701
Web: www.chbyron.com
E-mail: support@chbyron.com

R&TTE APPROVED		UK		M	
A	IRL	UK	BG	N	
B	I	L	CZ	SK	
DK	L	EST	H	CH	
FIN	NL	P	IS	PL	
F	P	E	LV	RO	
D	S				
GR					
LT					

CH Byron Electrical United Kingdom. www.chbyron.com

HOME easy Quick Guide

