

The HomeEasy HE-206 remote control Bayonet Ceiling Rose allows you to convert a standard ceiling rose in to a HomeEasy remote control unit. For use with 1 gang incandescent lights only.

INSTALLATION WARNINGS: BEFORE COMMENCING INSTALLATION ISOLATE YOUR MAINS ELECTRIC SUPPLY

Read the instructions care fully before starting the installation process and keep them for future reference. If you are in any doubt on the installation process, consult a qualified electrician.

This product should be installed in accordance with the relevant sections of the building regulations code, and the current edition of the IEE Wiring Regulations (BS 7671:Requirements for electrical installations) and appropriate statutory regulations.

Do not install ceiling receivers on lighting circuits used to supply other products such as extractor fans and shaver socket outlets. Do not exceed the Maximum Power Rating of 100W, Incandescent lighting only

As of 1 April 2004, new installations in the UK should be wired using the EU harmonised colours for the supply conductors:

New colours:

BROWN = Live BLUE = Neutral Earth = Yellow/Green

Old colours:

RED = Live BLACK = Neutral

The old colours will cease from April 2006.

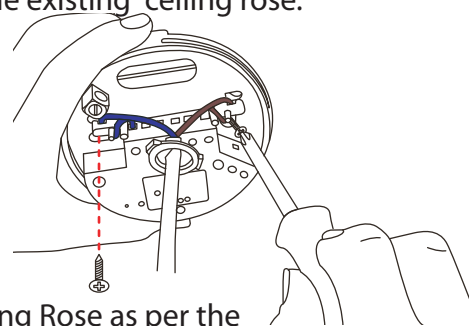
Electrical installations in bathrooms, kitchens, gardens, floor and heating systems, swimming pools, saunas and extra-low voltage lighting are classed as special installations and must be certified and conforming to Part P, requirements of BS 7671:2001 and appropriate statutory regulations. Contact your local Building Regulation authority if required.

Installation:

Do not use the HE-206 Ceiling Rose with low voltage lighting transformers, fluorescent bulbs, or energy saving lighting, incorrect installation may damage the converter. In case of any doubt consult a competent electrical installer

1: Isolate the mains supply, then remove the existing ceiling rose.

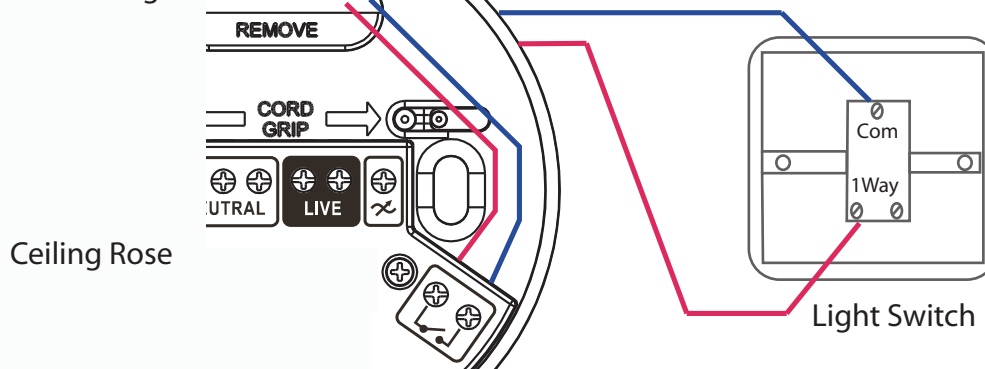
2: Attach the HE-206 ceiling rose using the screws provided.



3: Wire the mains cable to the HE-206 Ceiling Rose as per the diagram opposite, making sure the Live and neutral wires are correctly connected.

If required a breakable tab on the base can be removed.

4: Connect the all switch to the ceiling rose, making sure that the switch is zero voltage.

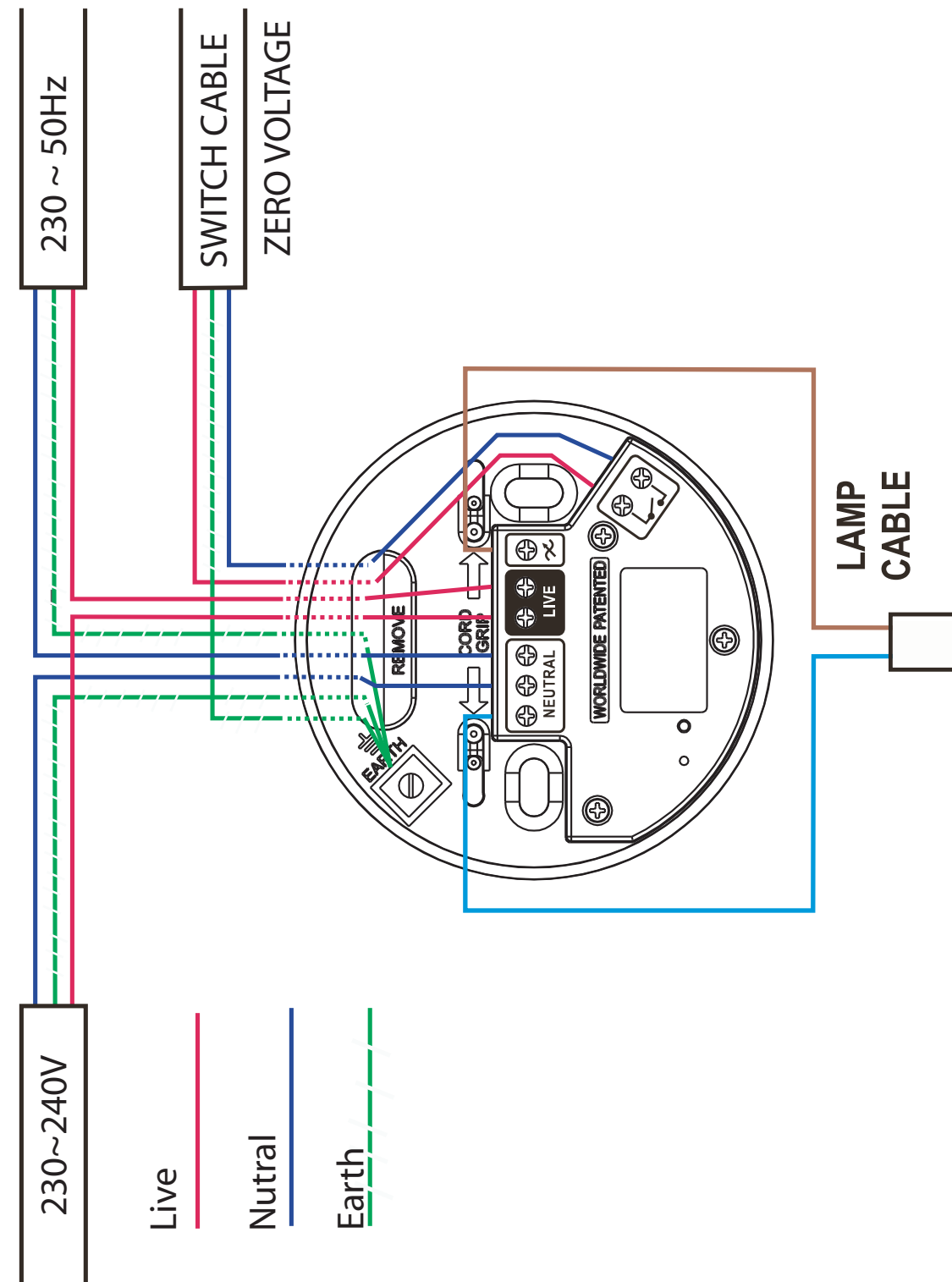


5: Make sure all the cables are connected correctly and securely fastened.

6: Now pair the HE-206 bayonet ceiling rose with a HomeEasy Remote control HE-100, HE-200, HE-300 or HE-102 (Not Included).

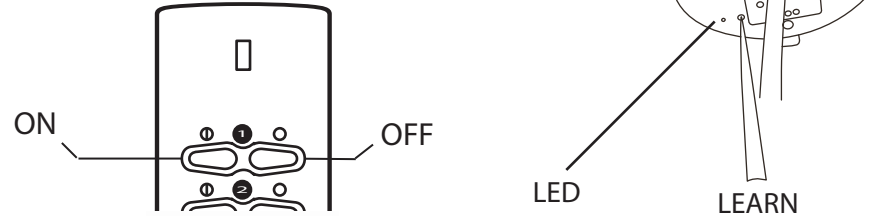
See *Pairing and Deleting Remote Control*.

7: Replace the ceiling rose cover making sure no wires are caught between the switch and the wall. Do not over tighten as this could crack or distort the cover.



Pairing/Deleting With Remote Control:

Up to Six remote control units can be paired with HE-206 Ceiling Rose.
To program a HE-206 Ceiling Rose install the unit as per the instructions (See *Installation*), now press the "Learn" button located inside the ceiling rose cover.



The LED will start to flash, now press the selected "On" button on the remote control, the LED will stop flashing. The units are now paired together. Place your selected light bulb (max 100W) into the Bayonet Ceiling Rose (BEC14/E27), you can test this by pressing the selected "ON/OFF" button.

Deleting Remote Control:

To delete a remote control that has been paired with HE-206 Ceiling Rose, simply press the "Learn" button. The LED will start to blink; press the "Off" button on the remote control, the LED will blink twice to confirm that the remote control has been removed from the memory of the Ceiling Rose.

Resetting Ceiling Rose:

To delete all the remote control units from the memory of the HE-206 Ceiling Rose, hold the "Learn" button for more than 6 seconds, the LED will start to blink continuously. Press the learn button again, the LED will blink twice to confirm the deletion of all remote controls from the memory of the Ceiling Rose.

Switching On/Off /Dimming:

Remote Control:

(See pairing/deleting with remote control)

On: Press on button

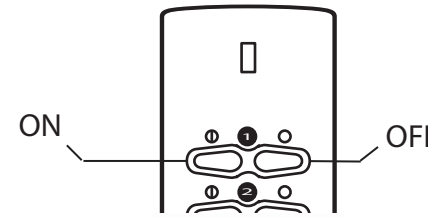
Off: Press Off button

Dimming: Press "On" and then press "On" again, the Ceiling Rose unit will now start to dim, press "On" to select the required level. To switch "Off", press off as normal.

Standard Light Switch:

On/Off: Switch on and off as normal.

Dimming: Switch On, Off and On again. The converter will now start to dim, to select the required level switch the light Off and On.



Product Specification:

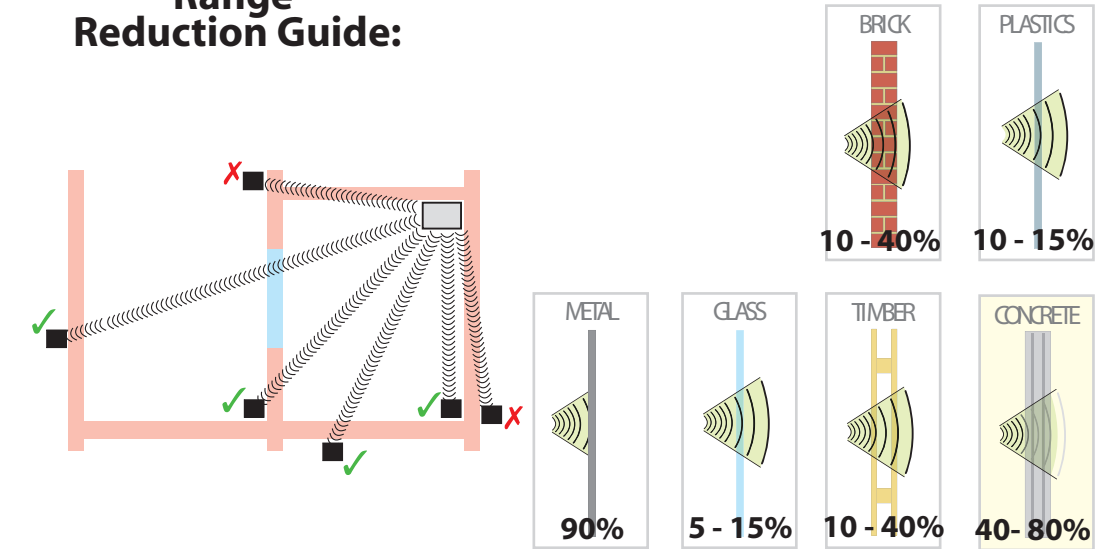
Switch Converter: HE-206
Power: 230V~50Hz
Max Load: 100W BEC14/E27 (Incandescent Lighting)
Internal Fuse: 2A, 130 degrees Celsius
Range: 30 Metres (Open Distance)
Frequency: 433.92MHz
Indoor Use Only

Warning: Never Exceed the Product Specification

Help Section :

RF Range: The radio signals operating distance is reduced when the signal has to pass through walls. The radio signals achieve a range of 30m inside a building; this can be reduced depending on the type of material

Range Reduction Guide:



Contact:

C H Byron
34, Sherwood Rd
Aston Fields
Bromsgrove
B60 3DR

Helpline: 0845 2301 231

Tel: 0845 2301231
Fax: 01527 557701
Web: www.chbyron.com
E-mail: support@chbyron.com

Byron		433MHz	
R&TTE APPROVED			
CE 0560			
A	IRL	UK	M
B	I	BG	N
DK	L	CZ	SK
FIN	NL	EST	SLO
D	P	H	CH
GR	E	IS	PL
LT	S	LV	RO
CH Byron Electrical United Kingdom. www.chbyron.com			