

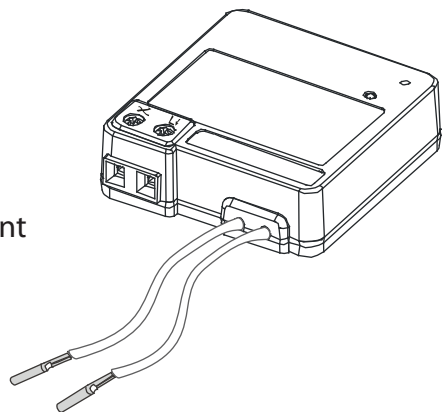
HE-203 Remote Control Switch Converter & Dimmer

RE-INVENTING THE HOME

V1.0

Installation:

The HomeEasy remote control Switch Converter allows you to convert a standard 1 way light switch in to a HomeEasy remote control unit. For use with in series with incandescent lighting only.



INSTALLATION WARNINGS: BEFORE COMMENCING INSTALLATION ISOLATE YOUR MAINS ELECTRIC SUPPLY

Read the instructions care fully before starting the installation process and keep them for future reference. If you are in any doubt on the installation process, consult a qualified electrician.

This product should be installed in accordance with the relevant sections of the building regulations code, and the current edition of the IEE Wiring Regulations (BS 7671:Requirements for electrical installations) and appropriate statutory regulations.

Do not install ceiling receivers on lighting circuits used to supply other products such as extractor fans and shaver socket outlets. Do not exceed the Maximum Power Rating of 210W, Incandescent lighting only

As of 1 April 2004, new installations in the UK should be wired using the EU harmonised colours for the supply conductors:

New colours:

BROWN = Live BLUE = Neutral Earth = Yellow/Green

Old colours:

RED = Live BLACK = Neutral

The old colours will cease from April 2006.

Electrical installations in bathrooms, kitchens, gardens, floor and heating systems, swimming pools, saunas and extra-low voltage lighting are classed as special installations and must

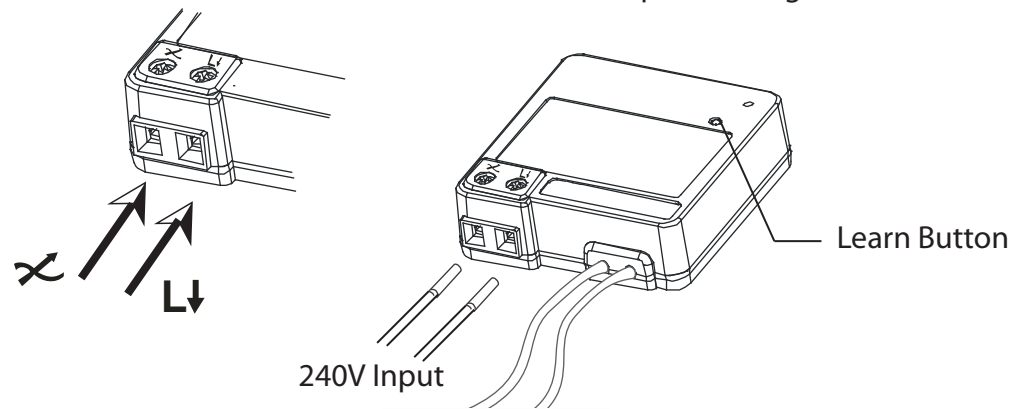
Installation:



Do not use the switch converter with low voltage lighting transformers, fluorescent bulbs, and energy saving lighting or fans, incorrect installation may damage the converter. In case of any doubt consult a qualified electrician.

1: Isolate the mains supply, then remove the existing switch and disconnect the wiring from the switch terminals on the back of the light switch.

2: Ensure the wall box is free from plaster lumps, projecting screw heads or any other material. The switch converter is designed to fit in a 25mm back box, if required a deeper back box or a proprietary spacer can be used between the switch and the wall.

3: Wire the mains cable to the converter switch as per the diagram below:



Making sure the live cable is connected to "  " terminal and, the switch live wire to the "  " terminal.

4: Connect the two switching wires from the switch converter to the original light switch, making sure 1 way operation is used.

5: Make sure all terminals and earth connections are correct and secure with no bare wires showing.

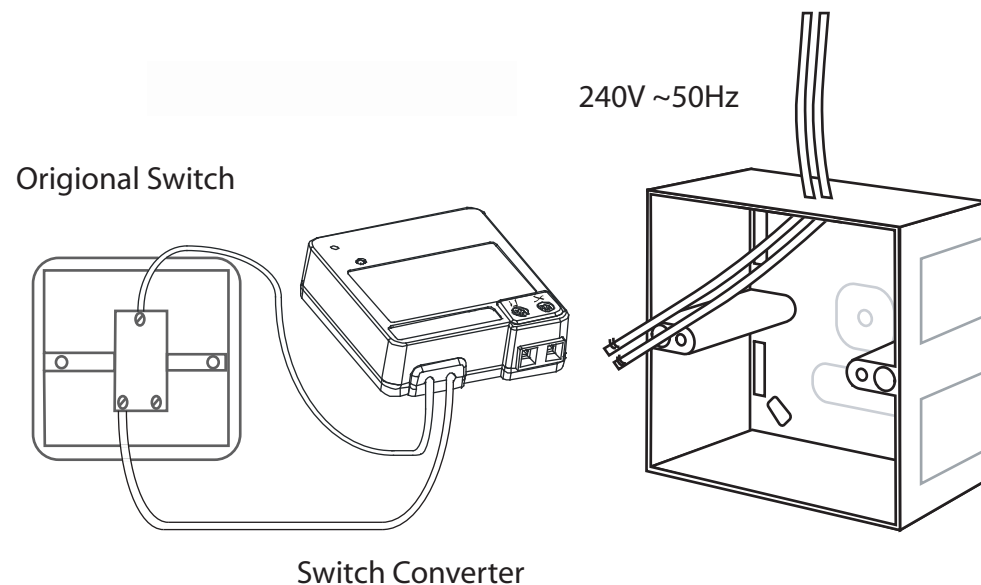
You will now need to program the switch converter:-

6: Gently replace the switch cover making sure no wires are caught between the switch and the wall. Do not over tighten as this could crack or distort the switch.

Reconnect the mains supply

Pairing/Deleting with Remote Control:

Up to Six remote control units can be paired with each converter switch or module. To pair a converter switch, connect the converter unit as per the wiring instructions. Using a small screw driver press "Learn" button. The LED will start to flash; press the selected "ON" button on the remote control, the LED will stop flashing. The units are now paired together, you can test this by pressing the selected "On/Off" button.



Caution: always make sure the switch converter is secure in the back box when programming.

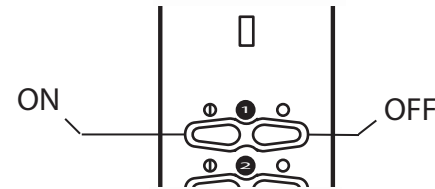
Deleting Remote Control:

To delete a remote control that has been paired with a HomeEasy receiver unit, press the "Learn". The LED will start to blink; press the "Off" button on the remote control, the LED will blink twice to confirm that the remote control has been removed from the receiver sockets memory.

Remote Socket reset:

To delete all the remote control units from the memory of the receiver socket, hold the "Learn" button for more than 6 seconds, the LED will start to blink continuously. Press the learn button again, the LED will blink twice to confirm the deletion of all remote controls from the receiver memory.

Switching On/Off /Dimming:



Remote Control:

On: Press on button

Off: Press Off button

(See pairing/deleting with remote control)

Dimming: Press "On" and then press "On" again, the converter unit will now start to dim, press "On" to select the required level. To switch "Off", press off as normal.

Standard Light Switch:

On/Off: Switch on and off as normal.

Dimming: Switch On, Off and On again. The converter will now start to dim, to select the required level switch the light Off and On.

Product Specification:

Switch Converter: HE-203

Power: 230V ~50Hz

Max Load 210W (Incandescent Lighting)

Internal Fuse: 2A, 130 degrees Celsius

Range: 30 Metres (Open Distance)

Frequency: 433.92MHz

Indoor Use Only

Warning: Never Exceed the Product Specification

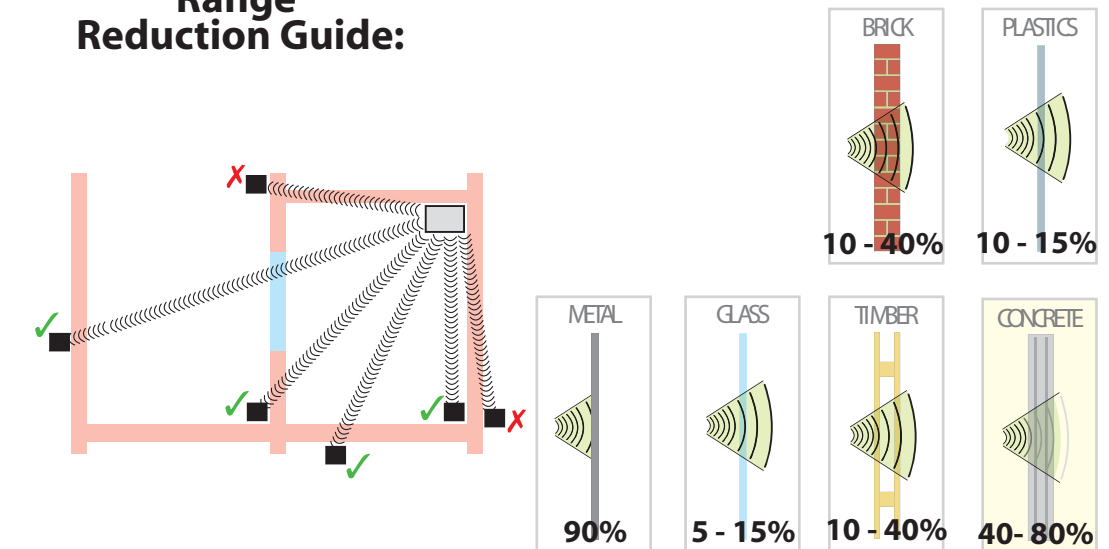
Help Section :

Help: Occasionally interference from receiver sockets plugged into adjacent wall sockets or when used with transformers (low voltage products) can affect the operating range.

Try placing one of the receiver sockets in another wall socket. For low voltage products place the transformer as far away from the receiver socket as possible.

RF Range: The radio signals operating distance is reduced when the signal has to pass through walls. The radio signals achieve a range of 30m inside a building; this can be reduced depending on the type of material

Range Reduction Guide:



Contact:

C H Byron
34, Sherwood Rd
Aston Fields
Bromsgrove
B60 3DR

Helpline: 0845 2301 231

Tel: 0845 2301231
Fax: 01527 557701
Web: www.chbyron.com
E-mail: support@chbyron.com

Byron		433MHz	
R&TTE APPROVED CE 0560			
A	IRL	UK	M
B	L	BG	N
DK	L	CZ	SK
FIN	NL	EST	SLO
F	P	H	CH
D	E	IS	PL
GR	S	LV	RO
LT			

CH Byron Electrical United Kingdom. www.chbyron.com